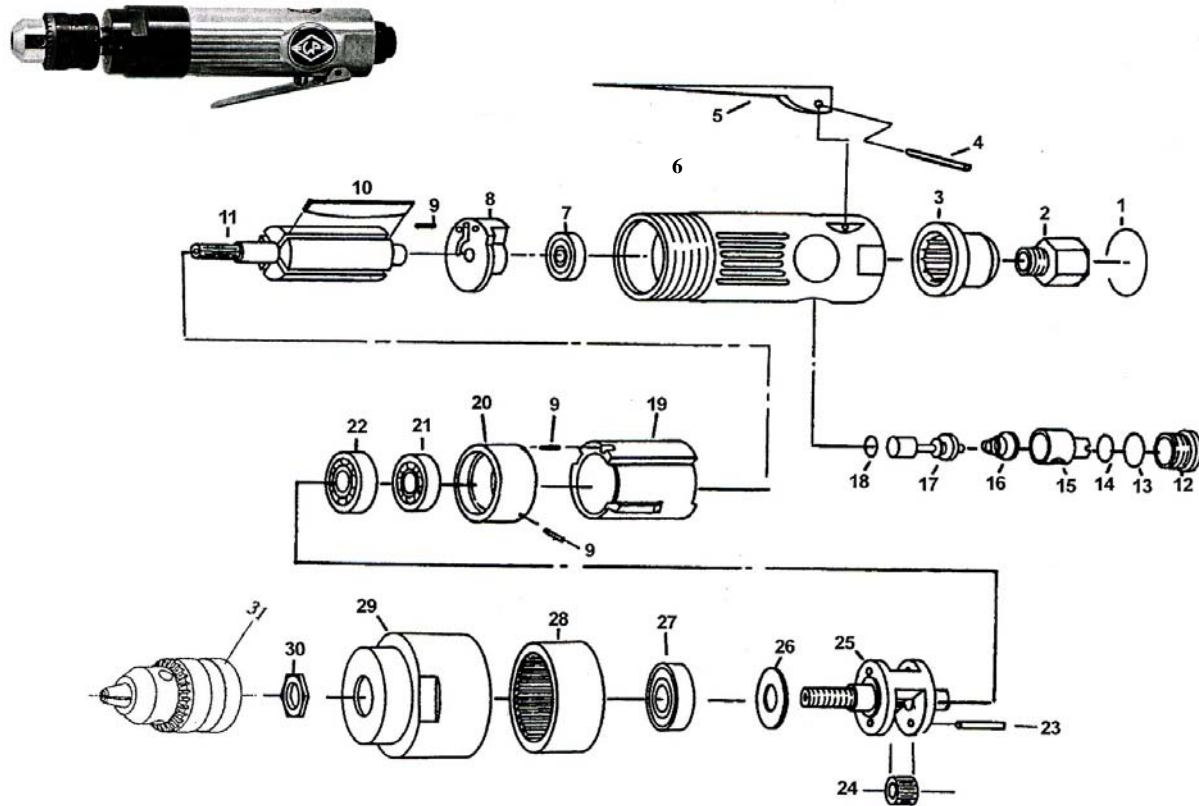




D345S, D345S-XT & D345S-10014

3/8" STRAIGHT DRILL

Wespro Pneumatic Tools



No.	Description	Order Code	Qty	No.	Description	Order Code	Qty
1	Retainer Ring	93060	1	18	O-Ring	83873	1
2	Air Inlet	83869	1	19	Cylinder	177732	1
3	Exhaust Deflector	83872	1	20	Front End Plate	91683	1
4	Lever Pin	83868	1	21	Ball Bearing	112671	1
5	Throttle Lever	83870	1	22	Ball Bearing	112673	1
6	Motor Housing	193015	1	23	Pin	91688	2
7	Ball Bearing	112054	1	24	Planet Gear	91686	2
8	Rear End Plate	91679	1	25	Planet Cage	91689	1
9	Pin	166651	3	26	Washer	91687	1
10	Rotor Blade	125567	4	27	Ball Bearing	112028	1
11	Rotor	91680	1	28	Internal Gear	91685	1
12	Throttle Valve Plug	83876	1	29	Front Housing	WP 74630	1
13	O-Ring	83875	1	30	Chuck Spacer	91549	1
14	O-Ring	83877	1	31	Chuck Multi-craft 3/8"	55737	1
15	Air Regulator	83887	1		Chuck Keyless 3/8"	180527	
16	Valve Spring	83874	1		Chuck HD 3/8"	72597	
17	Valve Stem	83871	1				