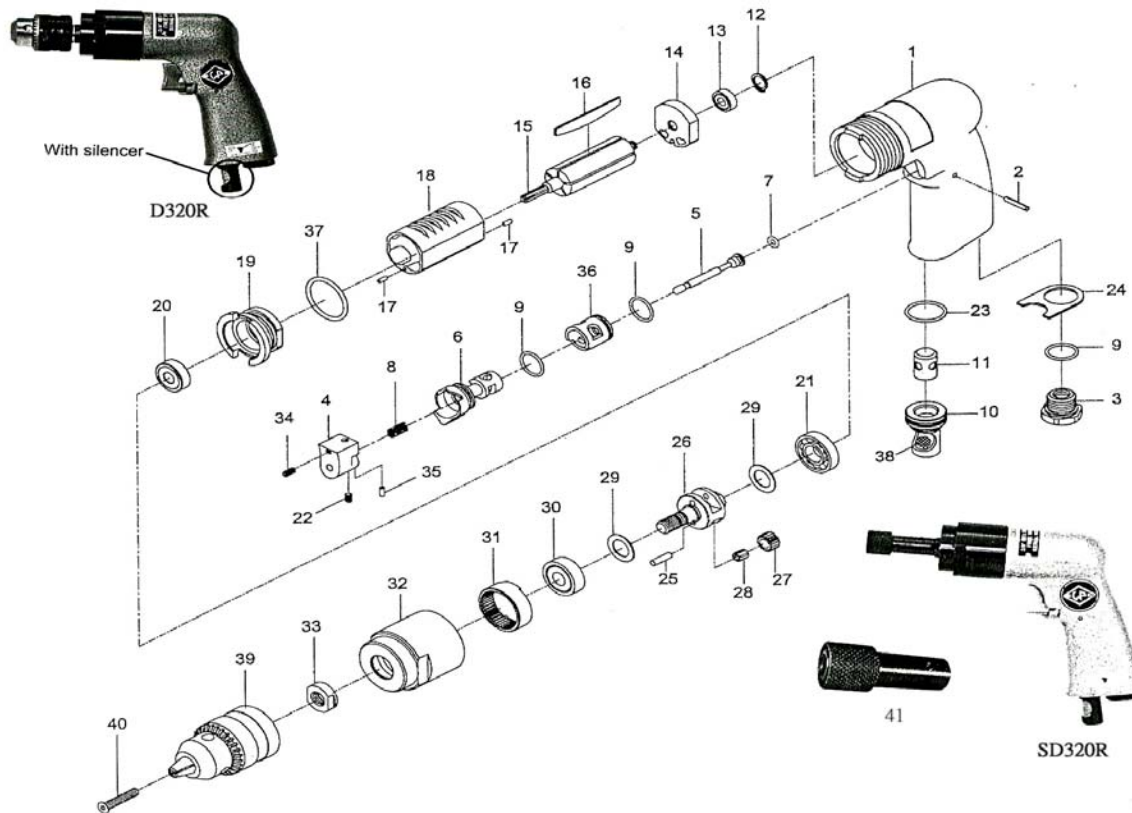




D320R, D320R-XT, D320R-10014 & SD320R 3/8" REVERSIBLE DRILL & SCREWDRIVER

Wespro Pneumatic Tools



<u>No.</u>	<u>Description</u>	<u>Order Code</u>	<u>Qty</u>	<u>No.</u>	<u>Description</u>	<u>Order Code</u>	<u>Qty</u>
1	Motor Housing	112573	1	23	O-Ring	91638	1
2	Pin	112420	1	24	Muffler Retainer	91639	1
3	Air Inlet	91616	1	25	Planet Pin	91640	2
4	Trigger	91617	1	26	Planet Cage	91641	1
5	Valve Stem	91618	1	27	Planet Gear	90501	2
6	Valve Bushing	113394	1	28	Needle Bearing	90502	2
7	O-Ring	91620	1	29	Spacer	91642	2
8	Spring	91621	1	30	Ball Bearing	112028	1
9	O-Ring	91622	3	31	Internal Gear	90503	1
10	Muffler Diffuser	91623	1	32	Front Housing	129420	1
11	Muffler Cap	91624	1	33	Spacer	91644	1
12	Retaining Ring	91625	1	34	Set Screw	91645	1
13	Ball Bearing	112062	1	35	Pin	97456	1
14	Rear End Plate	113396	1	36	Valve Cap	97457	1
15	Rotor	91628	1	37	O-ring	91647	1
16	Rotor Blade	91629	5	38	Muffler Screen	91648	1
17	Pin	91630	2	39	Chuck Multi-craft 3/8"	55737	1
18	Cylinder	113395	1		Chuck Keyless 3/8"	180527	
19	Front End Plate	91634	1		Chuck HD 3/8"	72597	
20	Ball Bearing	112040	1	40	Chuck Screw	97419	1
21	Ball Bearing	112673	1	41	QC250 (For SD320R)	112761	1
22	Set Screw	91637	1				