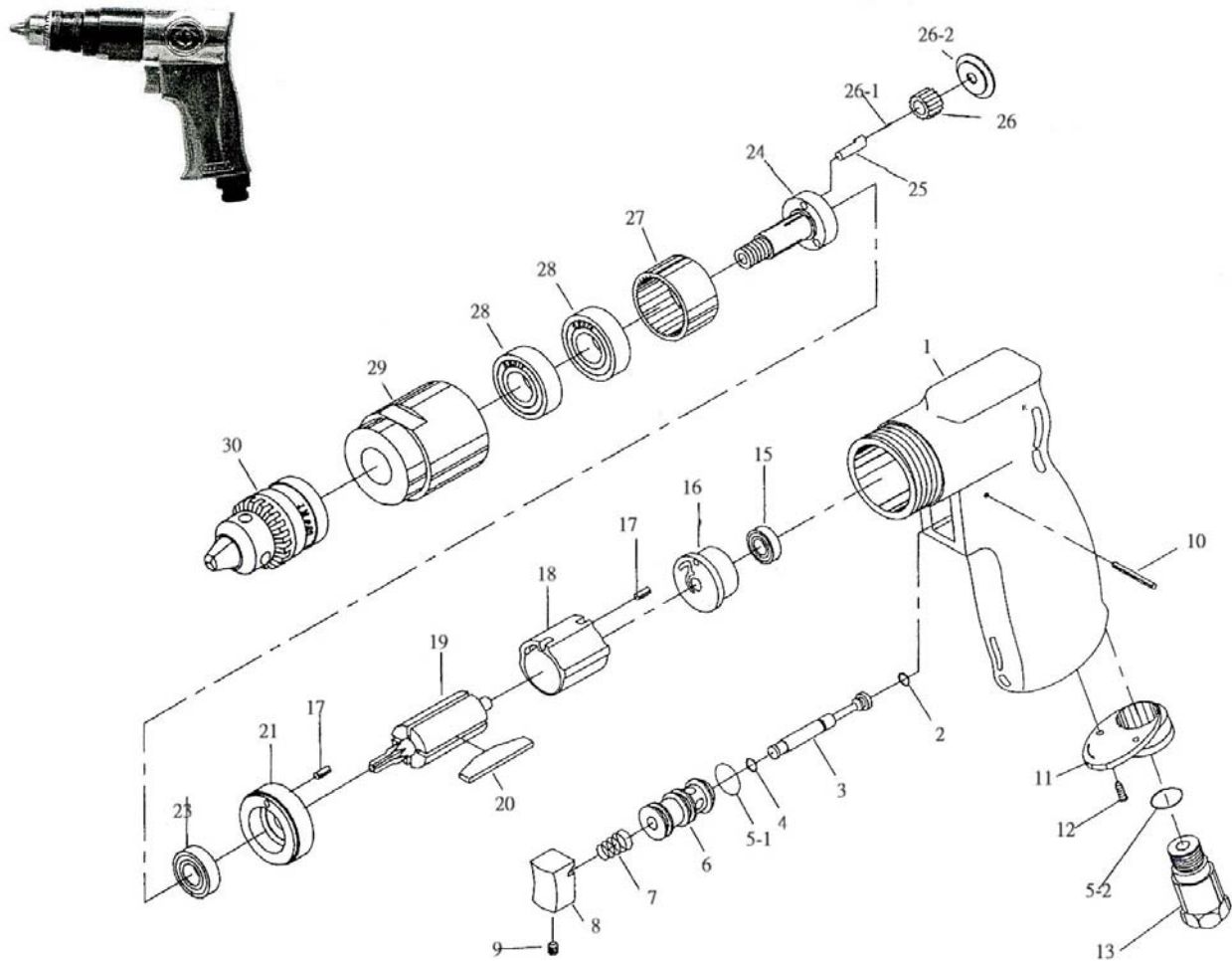




D320E, D320E-XT & D320E-10014

3/8" DRILL

Wespro Pneumatic Tools



<u>No.</u>	<u>Description</u>	<u>Order Code</u>	<u>Qty</u>	<u>No.</u>	<u>Description</u>	<u>Order Code</u>	<u>Qty</u>
1	Motor Housing	159193	1	18	Cylinder	159230	1
2	O-Ring	148644	1	19	Rotor	159196	1
3	Throttle Valve	159199	1	20	Rotor Blade	148653	5
4	O-Ring	159200	1	21	Front End Plate	186722	1
5-1	O-Ring	159201	1	23	Ball Bearing	112040	1
5-2	O-Ring	188151	1	24	Planet Cage	159208	1
6	Reverse Bushing	159202	1	25	Planet Pin	159231	3
7	Valve Spring	159207	1	26	Planet Gear	159205	3
8	Trigger	159203	1	26-1	Needle Bearing	197435	3
9	Set Screw	188259	1	26-2	Washer	194376	1
10	Spring Pin	159192	1	27	Internal Gear	159204	1
11	Exhaust Diffuser	159189	1	28	Ball Bearing	112046	2
12	Screw	130282	2	29	Clamp Nut	159206	1
13	Inlet Bushing	159190	1	30	Chuck Multi-craft 3/8"	55737	1
15	Ball Bearing	112040	1		Chuck Keyless 3/8"	180527	
16	Rear End Plate	159194	1		Chuck HD 3/8"	72597	
17	Spring Pin	159195	2		Key	46791	1

d320e 03/05

Western Office 604-298-2933 Eastern Office 905-839-6111 www.wescoproductioontools.com