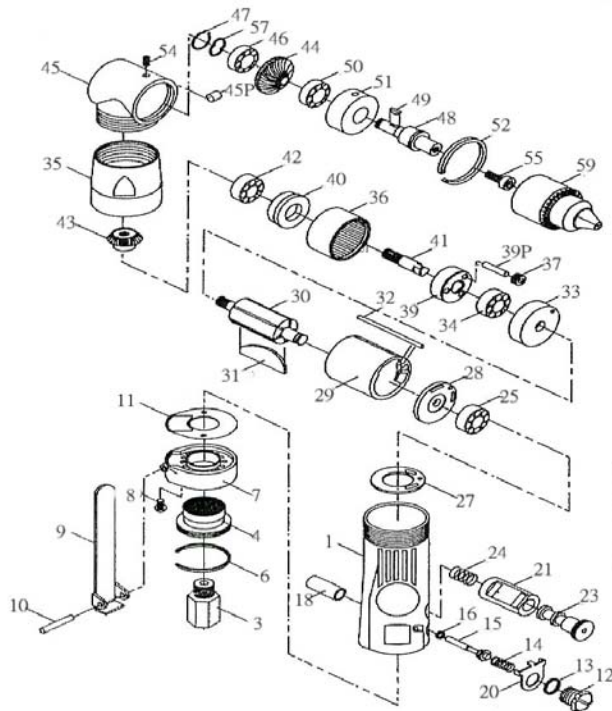




D319AR, D319AR-XT & D319AR-10014

3/8" DRILL

Wespro Pneumatic Tools



<u>No.</u>	<u>Description</u>	<u>Order Code</u>	<u>Qty</u>	<u>No.</u>	<u>Description</u>	<u>Order Code</u>	<u>Qty</u>
1	Motor Housing	133828	1	34	Ball Bearing	112040	1
3	Inlet Bushing	133829	1	35	Lock Ring	133854	1
4	Deflector	133830	1	36	Internal Gear	133855	1
6	Stop Ring	133831	1	37	Planet Gear	133857	3
7	Housing Cap	133833	1	39	Cage	133858	1
8	Screw	133834	2	39P	Pin	133859	3
9	Lever	133835	1	40	Spacer	133861	1
10	Pin	133836	1	41	Gear Spindle	133863	1
11	Gasket	133837	1	42	Ball Bearing	112029	1
12	Valve Screw	133838	1	43	Pinion	133864	1
13	O-Ring	166689	1	44	Gear	133865	1
14	Valve Spring	133840	1	45	Angle Housing	133866	1
15	Throttle Valve	133841	1	45P	Grease Fitting	151977	1
16	O-Ring	130275	1	46	Ball Bearing	112054	1
18	Valve Bushing	133844	1	47	Retainer Ring	133868	1
20	Reverse Retainer	133845	1	48	Spindle	133869	1
21	Reverse Bushing	133847	1	49	Key	133872	1
23	Reverse Valve	133848	1	50	Ball Bearing	112077	1
24	Reverse Spring	133849	1	51	Bearing Case	133873	1
25	Ball Bearing	112054	1	52	Retainer Ring	133874	1
27	Gasket	133850	1	54	Set Screw	133875	1
28	Rear End Plate	133851	1	55	Screw	130254	1
29	Cylinder	130269	1	57	Wave Washer	133876	1
30	Rotor	130658	1	58	Chuck Key	46791	1
31	Rotor Blade	130659	5	59	Chuck Multi-craft 3/8"	55737	1
32	Pin	130268	1		Chuck Keyless 3/8"	180527	
33	Front End Plate	133852	1		Chuck HD 3/8"	72597	