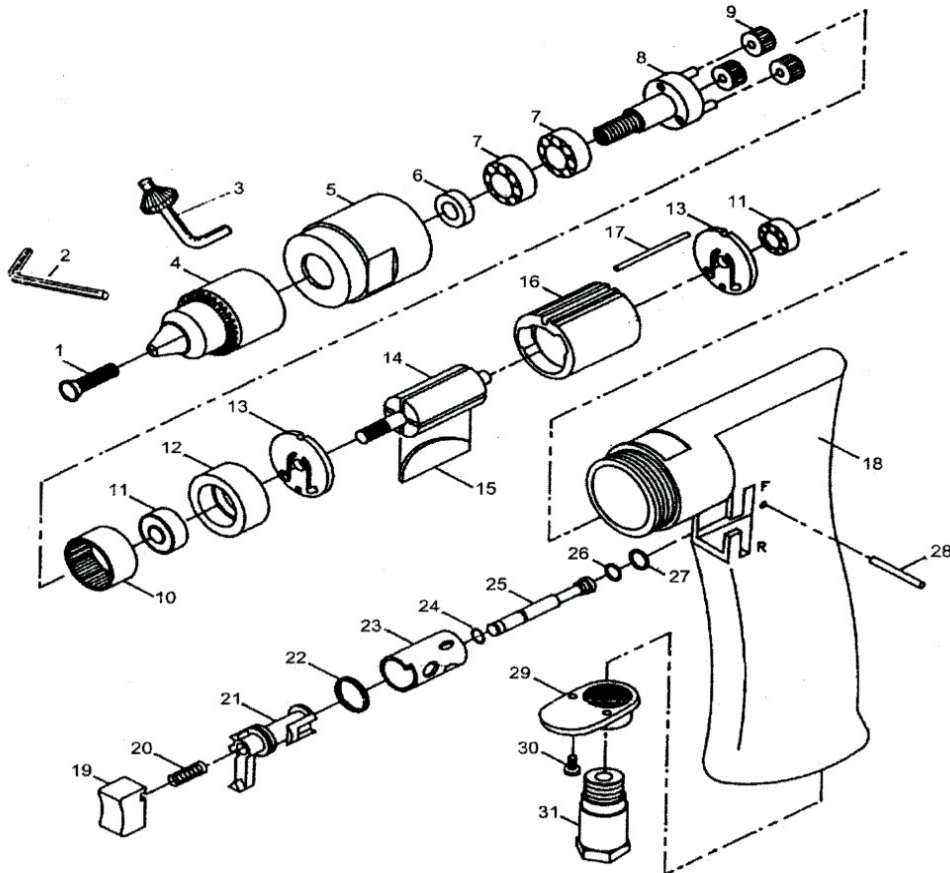




D318R, D318R-XT, D318R-10014 & SD318R 3/8" REVERSIBLE DRILL & SCREWDRIVER

Wespro Pneumatic Tools



<u>No.</u>	<u>Description</u>	<u>Order Code</u>	<u>Qty</u>	<u>No.</u>	<u>Description</u>	<u>Order Code</u>	<u>Qty</u>
1	Screw	130254	1	16	Cylinder	130269	1
2	Allen Wrench	130255	1	17	Pin	130268	1
3	Key	46791	1	18	Motor Housing	130270	1
4	Chuck Multi-craft 3/8"	55737	1	19	Trigger	130272	1
	Chuck Keyless 3/8"	180527		20	Valve Spring	130273	1
	Chuck HD 3/8"	72597		21	Reverse Valve	130276	1
5	Gear Housing	130257	1	22	O-Ring	130277	1
6	Chuck Spacer	130258	1	23	Reverse Valve Bushing	130278	1
7	Ball Bearing	112045	2	24	O-Ring	130673	1
8	Planet Carrier	130260	1	25	Valve	130274	1
9	Planet Gear c/w Bushing	130261	3	26	O-Ring	130275	1
10	Internal Gear	130262	1	27	O-Ring	130279	1
11	Ball Bearing	112054	2	28	Pin	130280	1
12	Bearing Case	130264	1	29	Exhaust Deflector	130281	1
13	End Plate	130265	2	30	Screw	130282	2
14	Rotor	130266	1	31	Air Inlet	130283	1
15	Rotor Blade	125567	5	33	QC250 (For SD318R)	112761	1