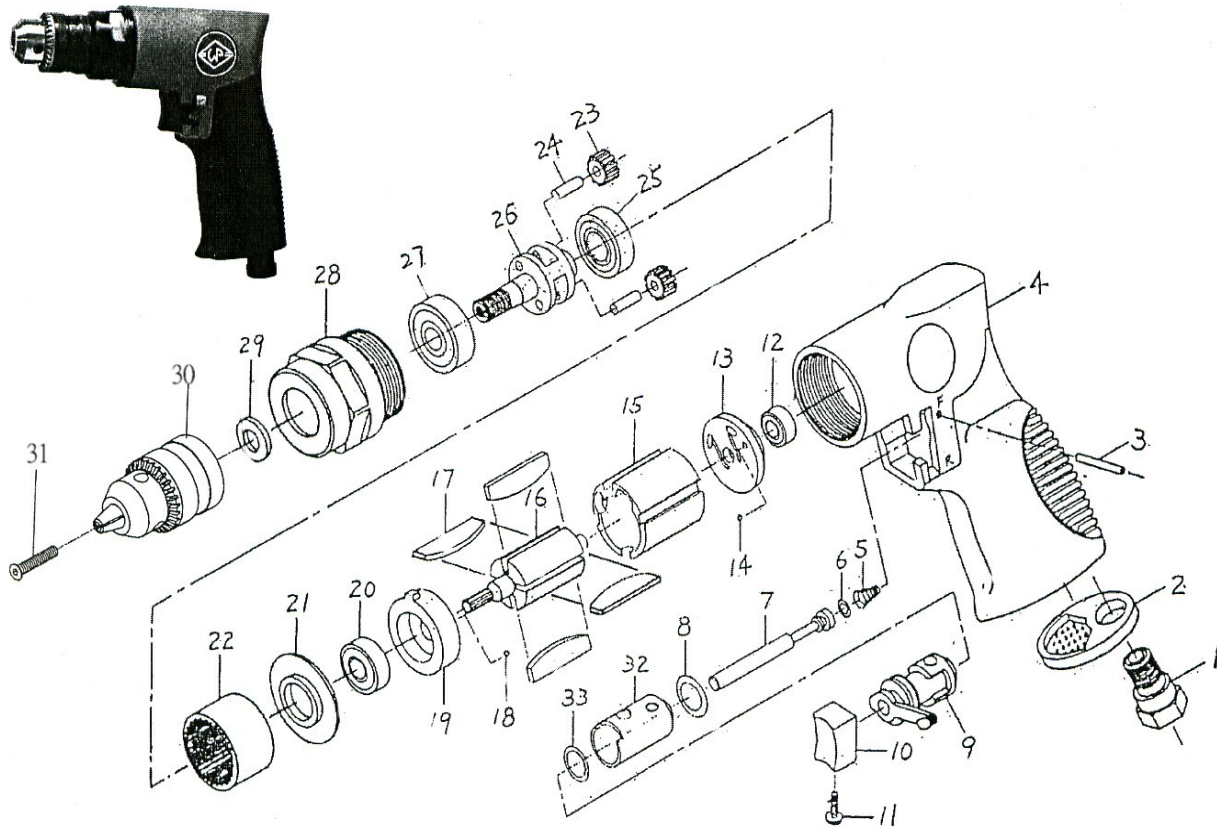




# Wespro Pneumatic Tools



<u>No.</u>	<u>Description</u>	<u>Order Code</u>	<u>Qty</u>	<u>No.</u>	<u>Description</u>	<u>Order Code</u>	<u>Qty</u>
1	Air Inlet	174978	1	*19	Front End Plate	185128	1
2	Exhaust Sleeve	174979	1	20	Ball Bearing	112038	1
3	Spring Pin	174980	1	21	Washer	174996	1
*4	Housing	185123	1	22	Internal Gear	174997	1
5	Spring	174982	1	23	Planet Gear	174998	2
6	O-Ring	174983	1	24	Planet Gear Pin	175375	2
7	Valve Stem	174984	1	25	Ball Bearing	112029	1
8	O-Ring	174985	1	26	Gear Cage	175000	1
9	Reverse Lever	174986	1	27	Ball Bearing	112041	1
10	Trigger	174987	1	28	Housing Cap	175001	1
11	Screw	174988	1	29	Spacer	175002	1
12	Ball Bearing	112060	1	30	Chuck Multi-craft 3/8"	55737	1
*13	Rear End Plate	185124	1		Chuck Keyless 3/8"	180527	
14	Steel Ball	174990	2		Chuck HD 3/8"	72597	
*15	Cylinder	185125	1	31	Screw	175003	1
*16	Rotor	185126	1	32	Bushing	175004	1
*17	Rotor Blade	185127	4	33	O-Ring	175005	1
18	Steel Ball	174994	1				

The parts with \* in the front of the index numbers are different to D318RG.