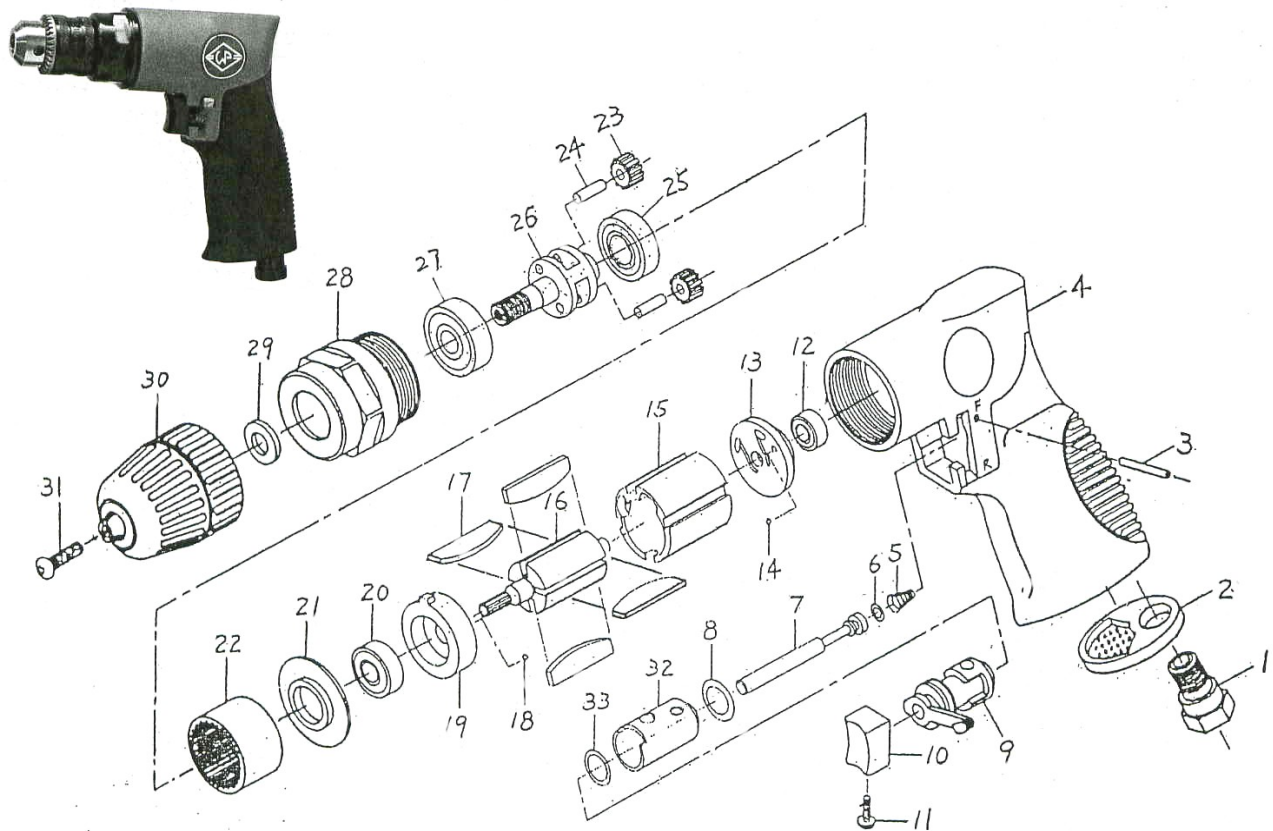




# D318RG 3/8" INSUL GRIP REVERSIBLE DRILL

## Wespro Pneumatic Tools



<u>No.</u>	<u>Description</u>	<u>Order Code</u>	<u>Qty</u>	<u>No.</u>	<u>Description</u>	<u>Order Code</u>	<u>Qty</u>
1	Air Inlet	174978	1	18	Steel Ball	174994	1
2	Exhaust Sleeve	174979	1	*19	Front End Plate	174995	1
3	Spring Pin	174980	1	20	Ball Bearing	112038	1
*4	Housing	174981	1	21	Washer	174996	1
5	Spring	174982	1	22	Internal Gear	174997	1
6	O-Ring	174983	1	23	Planet Gear	174998	2
7	Valve Stem	174984	1	24	Planet Gear Pin	175375	2
8	O-Ring	174985	1	25	Ball Bearing	112029	1
9	Reverse Lever	174986	1	26	Gear Cage	175000	1
10	Trigger	174987	1	27	Ball Bearing	112041	1
11	Screw	174988	1	28	Housing Cap	175001	1
12	Ball Bearing	112060	1	29	Spacer	175002	1
*13	Rear End Plate	174989	1	30	Chuck 3/8" (Multicraft)	55737	1
14	Steel Ball	174990	2	31	Screw	175003	1
*15	Cylinder	174991	1	32	Bushing	175004	1
*16	Rotor	174992	1	33	O-Ring	175005	1
*17	Rotor Blade	174993	4				

The parts with \* in the front of the index numbers are different to D318RGB.