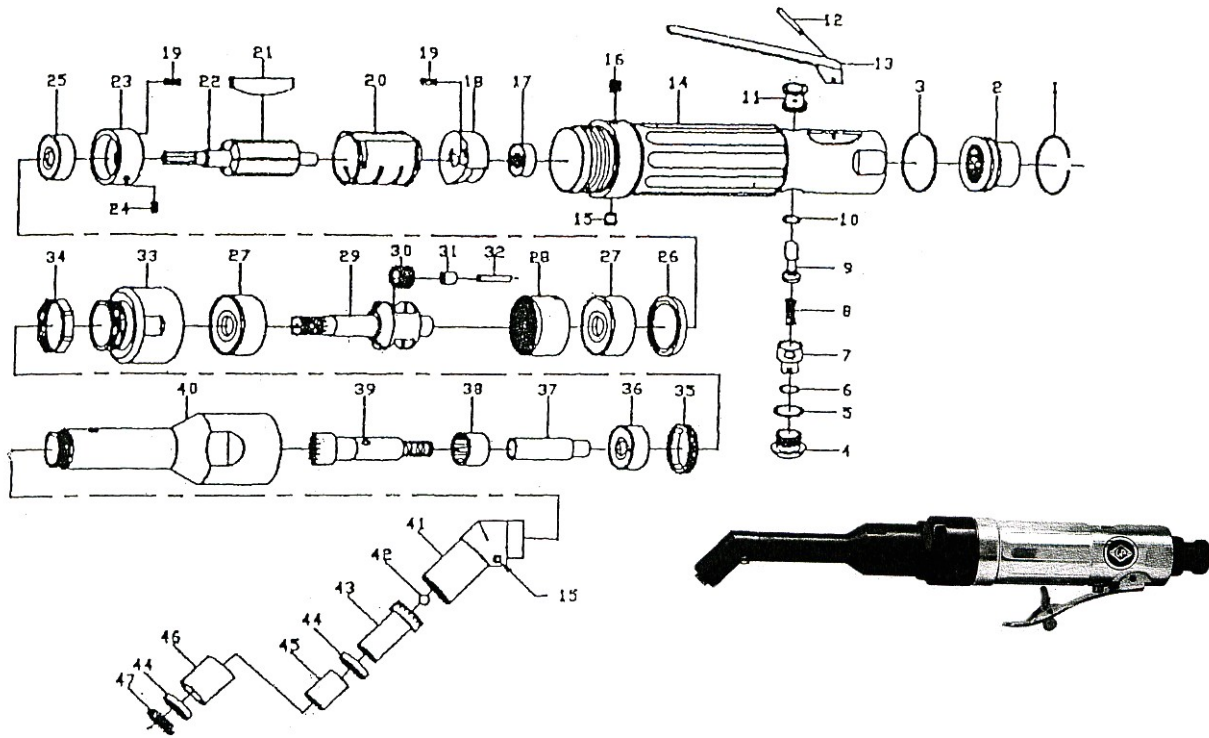




**D225A45**

**45 DEGREE ANGLE DRILL**

**Wespro Pneumatic Tools**



<u>No.</u>	<u>Description</u>	<u>Order Code</u>	<u>Qty</u>	<u>No.</u>	<u>Description</u>	<u>Order Code</u>	<u>Qty</u>
1	Retaining Ring	144846	1	25	Ball Bearing	112038	1
2	Muffler	144847	1	26	Spacer	144870	1
3	O-Ring	144848	1	27	Ball Bearing	112041	2
4	Plug	144879	1	28	Ring Gear	144871	1
5	O-Ring	144849	1	29	Carrier	144872	1
6	O-Ring	144850	1	30	Idler Gear	144873	2
7	Regulator	144852	1	31	Needle Bearing	144874	2
8	Spring	144853	1	32	Pin	144875	2
9	Valve Stem	144854	1	33	Adaptor	144876	1
10	O-Ring	144855	1	34	Lock Ring	144877	1
11	Valve Bushing	144856	1	35	Lock Ring	144878	1
12	Pin	144857	1	36	Ball Bearing	112024	1
13	Throttle Lever	144858	1	37	Adaptor	139953	1
14	Motor Housing	144845	1	38	Needle Bearing	144879	1
15	Grease Fitting	144862	2	39	Bevel Gear	144880	1
16	Set Screw	144863	1	40	Angle Housing	144881	1
17	Ball Bearing	128454	1	41	Angle Head	144882	1
18	Rear End Plate	144865	1	42	Steel Ball	144883	1
19	Pin	144866	2	43	Output Spindle	139954	1
20	Cylinder	144867	1	44	Ball Bearing	139955	2
21	Rotor Blade	144868	5	45	Spacer	144885	1
22	Rotor	144869	1	46	Spacer	144886	1
23	Front End Plate	144888	1	47	Lock Ring	144887	1
24	Pin	144889	1				