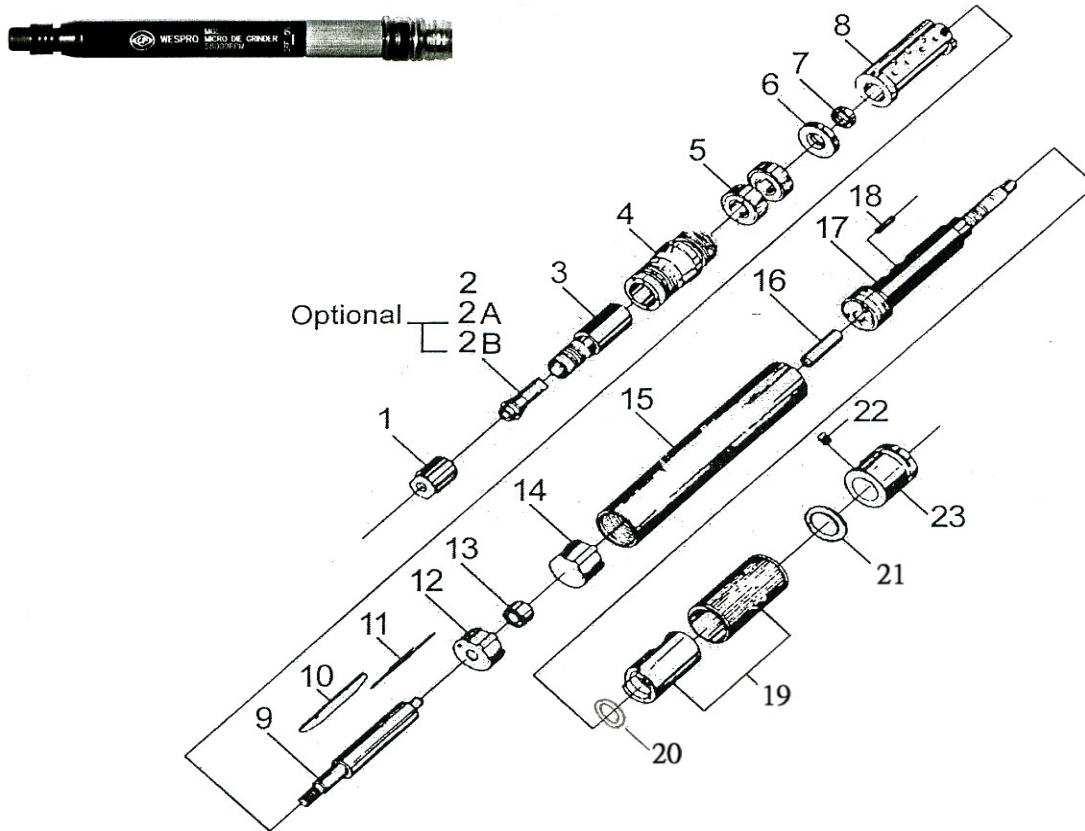




**MG70**

**MICRO DIE GRINDER**

**Wespro Pneumatic Tools**



<u>No.</u>	<u>Description</u>	<u>Order Code</u>	<u>Qty</u>	<u>No.</u>	<u>Description</u>	<u>Order Code</u>	<u>Qty</u>
1	Clamp Nut	148978	1	13	Ball Bearing	112058	1
2	Collet (1/8")	148980	1	14	Intake Plate	148995	1
2A	Collet (3/32")	167989	1	15	Sleeve	148997	1
2B	Collet (3 mm)	125935	1	16	Intake Steel Tube	148998	1
3	Front Cover	148981	1	17	Hose Plug	148999	1
4	Collet Foundation	148982	1	18	Pin	149000	1
5	Ball Bearing	112059	2	19	Sliding Knob Ass'y	149001	1
6	Spacer	148984	1	20	O-Ring	149002	1
7	Lateral Disc	148985	1	21	O-Ring	149003	1
8	Cylinder	148986	1	22	Screw	149004	1
9	Rotor	148987	1	23	Rear End Holder	149005	1
10	Rotor Blade	148988	3		Air Hose Assembly	149006	1
11	Pin	148990	1		Spanner	149009	2
12	Bearing Plate	148991	1				