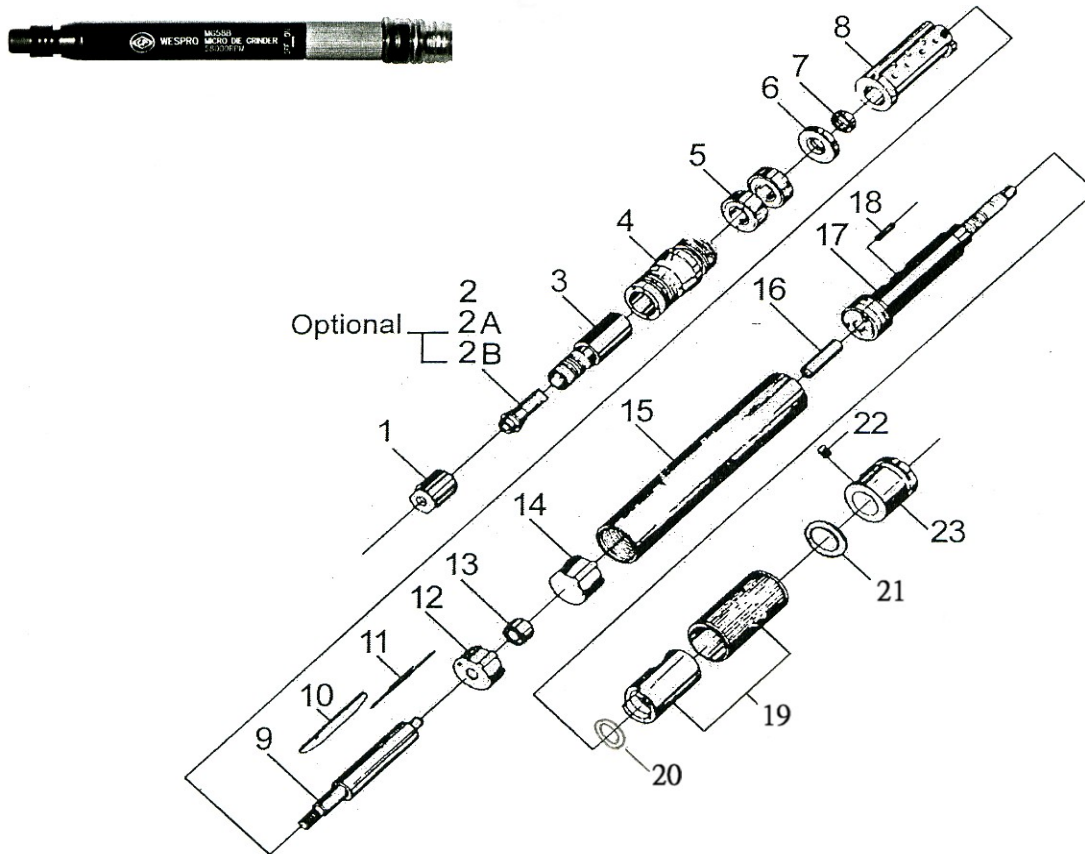




MG58B

MICRO DIE GRINDER

Wespro Pneumatic Tools



| <u>No.</u> | <u>Description</u> | <u>Order Code</u> | <u>Qty</u> | <u>No.</u> | <u>Description</u> | <u>Order Code</u> | <u>Qty</u> |
|------------|--------------------|-------------------|------------|------------|--------------------|-------------------|------------|
| 1 | Clamp Nut | 148978 | 1 | 13 | Ball Bearing | 112058 | 1 |
| 2 | Collet (1/8") | 148980 | 1 | 14 | Intake Plate | 149015 | 1 |
| 2A | Collet (3/32") | 167989 | 1 | 15 | Sleeve | 149016 | 1 |
| 2B | Collet (3 mm) | 125935 | 1 | 16 | Intake Steel Tube | 148998 | 1 |
| 3 | Front Cover | 148981 | 1 | 17 | Hose Plug | 149017 | 1 |
| 4 | Collet Foundation | 148982 | 1 | 18 | Pin | 149000 | 1 |
| 5 | Ball Bearing | 112059 | 2 | 19 | Sliding Knob Ass'y | 149001 | 1 |
| 6 | Spacer | 148984 | 1 | 20 | O-Ring | 149002 | 1 |
| 7 | Lateral Disc | 148985 | 1 | 21 | O-Ring | 149003 | 1 |
| 8 | Cylinder | 149011 | 1 | 22 | Screw | 149004 | 1 |
| 9 | Rotor | 149012 | 1 | 23 | Rear End Holder | 149005 | 1 |
| 10 | Rotor Blade | 148988 | 3 | | Air Hose Assembly | 149006 | 1 |
| 11 | Pin | 148990 | 1 | | Spanner | 149009 | 2 |
| 12 | Bearing Plate | 149013 | 1 | | | | |

mg58b 06/04