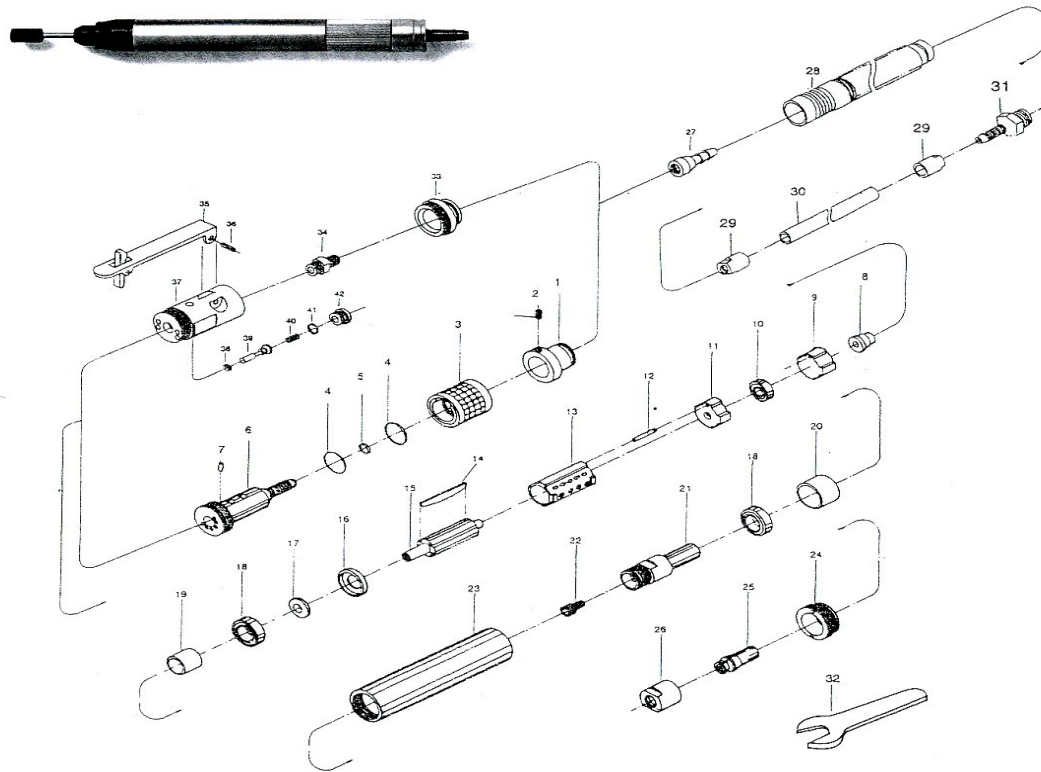




# MG35L & MG35R

## Wespro Pneumatic Tools

# MICRO DIE GRINDER



<u>No.</u>	<u>Description</u>	<u>Order Code</u>	<u>Qty</u>	<u>No.</u>	<u>Description</u>	<u>Order Code</u>	<u>Qty</u>
1	Rear End Holder	WP 350001	1	23	Sleeve	178008	1
2	Screw	WP 350002	1	24	Front Cover	<b>WP 350024</b>	1
3	Sliding Knob	WP 350003	1	25	Collet 1/4"	193193	1
4	O-Ring	172215	1		Collet 1/8"	193141	1
5	O-Ring	172216	1		Collet 3 MM	194030	1
6	Hose Plug	<b>WP 350006</b>	1	26	Clamping Nut	<b>WP 350026</b>	1
7	Pin	<b>WP 350007</b>	1	27	Air Hose Nipple	<b>WP 350027</b>	1
8	Plug	<b>WP 350008</b>	1	28	Muffler Tube	<b>WP 560026</b>	1
9	Intake Plate	<b>WP 350009</b>	1	29	Hose Ring	<b>WP 350029</b>	1
10	Ball Bearing	172217	1	30	Air Hose	<b>WP 350030</b>	1
11	Bearing Plate	172218	1	31	Air Inlet	<b>WP 350031</b>	1
12	Pin	<b>WP 560010</b>	1	32	Spanner	<b>WP 350032</b>	1
13	Cylinder	172219	1	33	Rear End Holder	<b>WP 560033</b>	1
14	Rotor Blade	172221	4	34	Screw	<b>WP 350034</b>	1
15	Rotor	<b>WP 350015</b>	1	35	Lever	<b>WP 350035</b>	1
16	Lateral Disc	172222	1	36	Roll Pin	<b>WP 350036</b>	1
17	Spacer	<b>WP 350017</b>	1	37	Handle	<b>WP 350037</b>	1
18	Ball Bearing	172223	1	38	O-Ring	<b>WP 350038</b>	1
19	Retainer Bushing (Internal)	<b>WP 350019</b>	1	39	Valve Stem	<b>WP 350039</b>	1
20	Retainer Bushing (External)	<b>WP 350020</b>	1	40	Spring	<b>WP 350040</b>	1
21	Collet Foundation	175225	1	41	O-Ring	<b>WP 350041</b>	1
22	Screw	<b>WP 350022</b>	1	42	Valve Plug	<b>WP 350042</b>	1