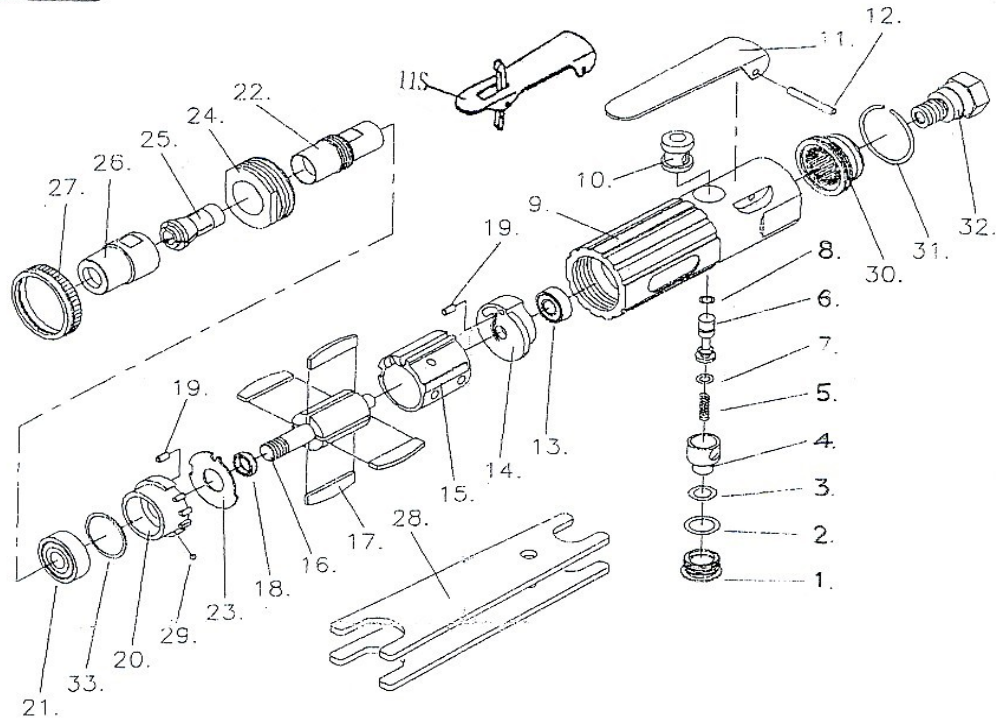
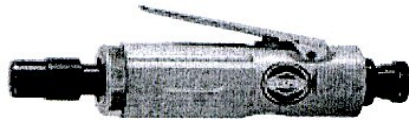




HDGE40R & HDGE40RS

HEAVY DUTY DIE GRINDER

Wespro Pneumatic Tools



<u>No.</u>	<u>Description</u>	<u>Order Code</u>	<u>Qty</u>	<u>No.</u>	<u>Description</u>	<u>Order Code</u>	<u>Qty</u>
1	Plug Screw	132304	1	18	Rotor Collar	132318	1
2	O-Ring	132305	1	19	Locating Pin	110764	3
3	O-Ring	174494	1	20	Front Bearing Plate	132273	1
4	Air Regulator	132307	1	21	Ball Bearing	112040	1
5	Valve Spring	110773	1	22	Collet Body	117898	1
6	Valve Stem	132309	1	23	Steel Plate	110767	1
7	O-Ring	174495	1	24	Lock Ring	124268	1
8	O-Ring	132310	1	25	Collet Insert	124270	1
9	Motor Housing	WP HDGE40-09	1	26	Collet Nut	97881	1
10	Valve Bushing	110756	1	27	Thread Guard	110769	1
11	Standard Lever	110779	1	28	Wrench	110725	1
11S	Safety Lever	117793	1		Wrench	110726	1
12	Lever Pin	110780	1	29	Ball	WP HDGE40R-29	1
13	Ball Bearing	116008	1	30	Muffler	112830	1
14	Rear Bearing Plate	WP HDGE40R-14	1	31	Retainer Ring	112831	1
15	Cylinder	WP HDGE40R-15	1	32	Air Inlet	132313	1
16	Rotor	WP HDGE40R-16	1	33	Shim Pack	132371	0-2
17	Rotor Blade	WP HDGE40R-17	3				