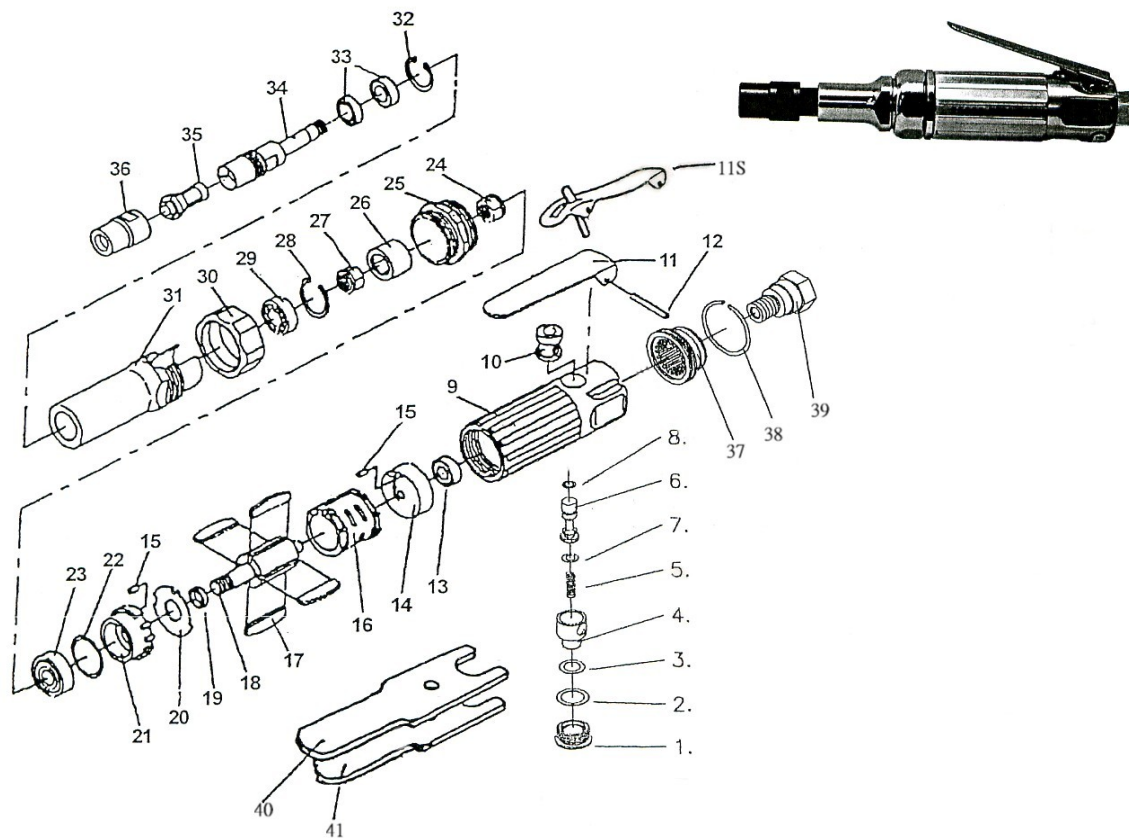




HDG25-3RX1L & 3RX1S EXTENDED HEAVY DUTY DIE GRINDER

Wespro Pneumatic Tools



<u>No.</u>	<u>Description</u>	<u>Order Code</u>	<u>Qty</u>	<u>No.</u>	<u>Description</u>	<u>Order Code</u>	<u>Qty</u>
1	Plug Screw	132304	1	21	Front Bearing Plate	132273	1
2	O-Ring	132305	1	22	Shim Pack	110745	0-2
3	O-Ring	174494	1	23	Ball Bearing	112040	1
4	Air Regulator	132307	1	24	Coupling nut	132348	1
5	Valve Spring	110773	1	25	Lock Ring	110716	1
6	Valve Stem c/w #7,#8	132309	1	26	Coupling	132339	1
7	O-Ring	174495	1	27	Coupling Nut	132350	1
8	O-Ring	132310	1	28	Retainer Ring	132351	1
9	Motor Housing	132326	1	29	Ball Bearing	141852	1
10	Valve Bushing	110756	1	30	Housing Cap	110717	1
11	Standard Lever	110779	1	31	Spindle Housing 1"	189427	1
11S	Safety Lever	117793	1	32	Retainer Ring	132353	1
12	Lever Pin	110780	1	33	Ball Bearing	141851	2
13	Ball Bearing	116008	1	34	Spindle 1"	132354	1
14	Rear Bearing Plate	132327	1	35	Collet Insert	124270	1
15	Roll Pin	110764	3	36	Collet Nut	97881	1
16	Cylinder	110759	1	37	Muffler	112830	1
17	Rotor Blade	108929	4	38	Retainer ring	112831	1
18	Rotor	110760	1	39	Air Inlet	132313	1
19	Rotor Collar	132318	1	40	Spanner	110725	1
20	Steel Plate	110767	1	41	Spanner	110726	1