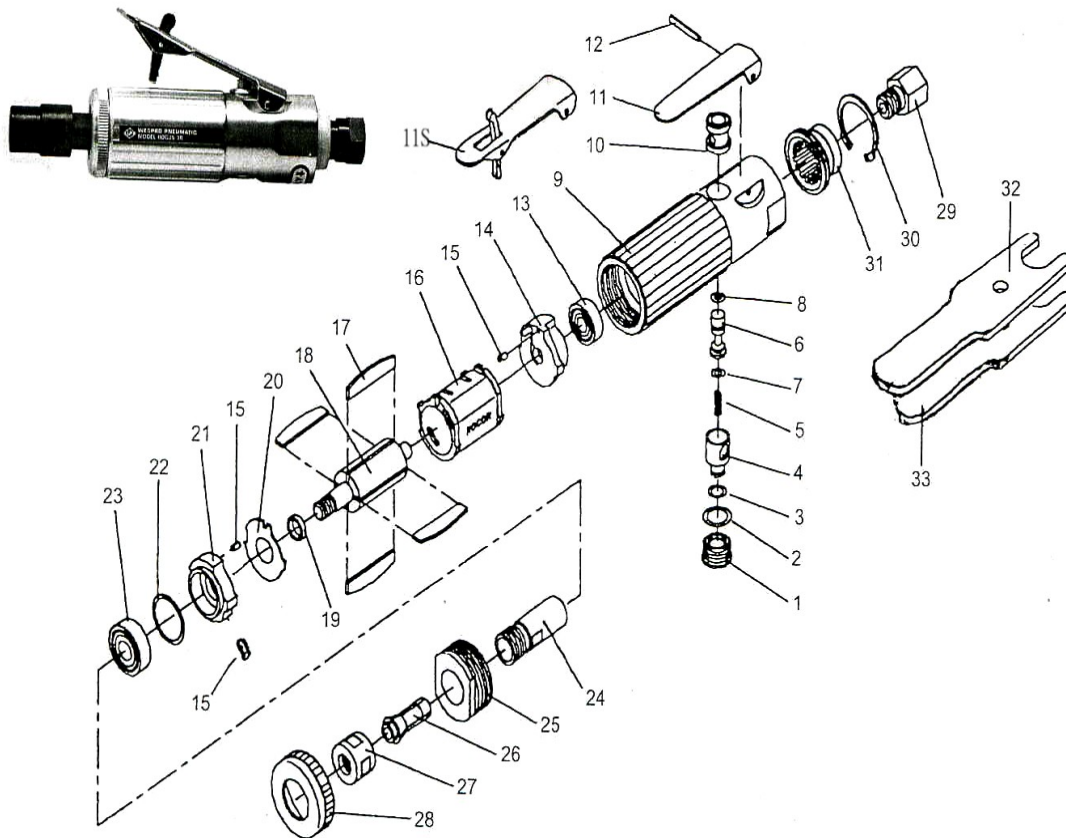




HDG25-3RL & 3RS

HEAVY DUTY DIE GRINDER

Wespro Pneumatic Tools



<u>No.</u>	<u>Description</u>	<u>Order Code</u>	<u>Qty</u>	<u>No.</u>	<u>Description</u>	<u>Order Code</u>	<u>Qty</u>
1	Plug Screw	132304	1	17	Rotor Blade	108929	4
2	O-Ring	132305	1	18	Rotor	110760	1
3	O-Ring	174494	1	19	Rotor Collar	132318	1
4	Air Regulator	132307	1	20	Steel Plate	110767	1
5	Valve Spring	110773	1	21	Front Bearing Plate	132273	1
6	Valve Stem	132309	1	22	Shim Pack	110745	0-2
7	O-Ring	174495	1	23	Ball Bearing	112040	1
8	O-Ring	132310	1	24	Collet Body	117898	1
9	Motor Housing	132326	1	25	Lock Ring	124268	1
10	Valve Bushing	110756	1	26	Collet Insert	124270	1
11	Standard Lever	110779	1	27	Collet Nut	97881	1
11S	Safety Lever	117793	1	28	Thread Guard	110769	1
12	Lever Pin	110780	1	29	Air Inlet	132313	1
13	Ball Bearing	116008	1	30	Retainer Ring	112831	1
14	Rear Bearing Plate	132327	1	31	Muffler	112830	1
15	Locating Pin	110764	3	32	Wrench	110725	1
16	Cylinder	110759	1	33	Wrench	110726	1