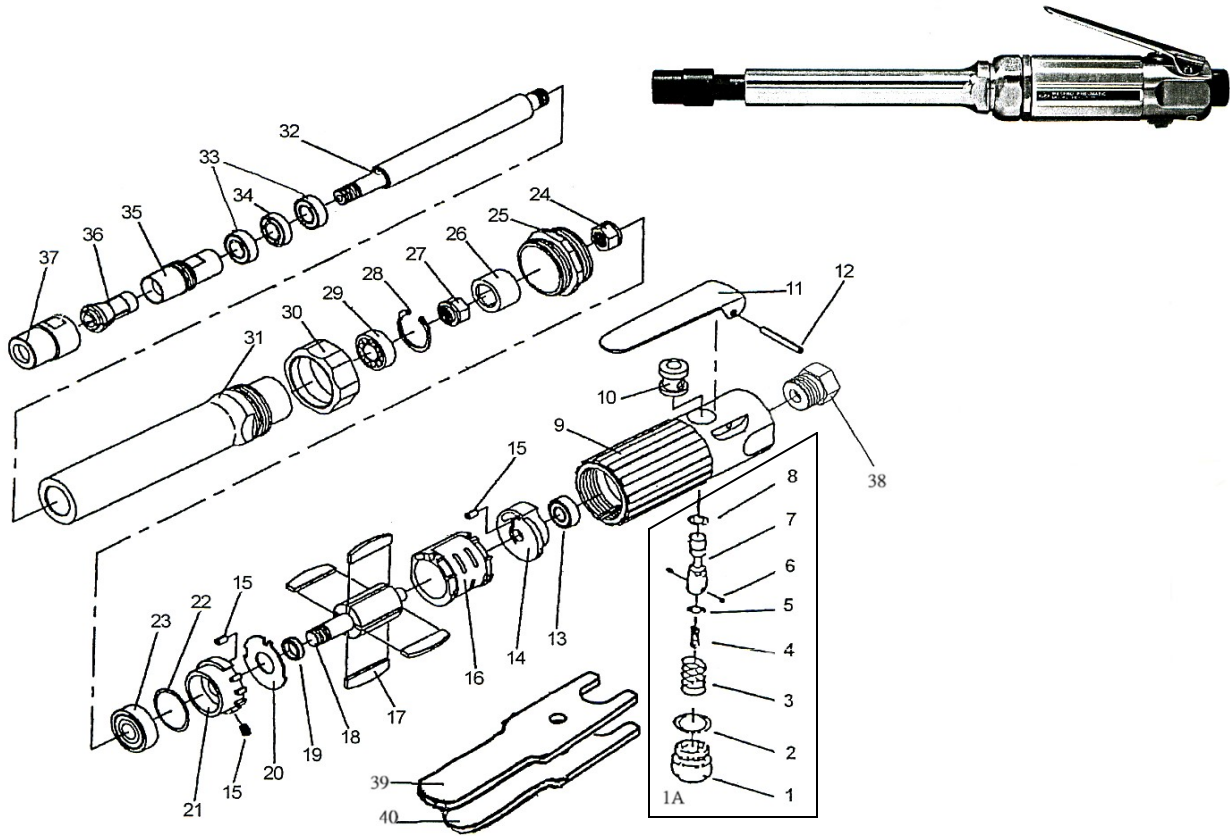




HDG25-3FX5B

EXTENDED HEAVY DUTY DIE GRINDER

Wespro Pneumatic Tools



<u>No.</u>	<u>Description</u>	<u>Order Code</u>	<u>Qty</u>	<u>No.</u>	<u>Description</u>	<u>Order Code</u>	<u>Qty</u>
1A	Plug Assembly	168793	1	21	Front Bearing Plate	132273	1
2	O-Ring	132305	1	22	Shim Pack	110745	0-2
3	Spring	110751	1	23	Ball Bearing	112040	1
4	Spring	110752	1	24	Coupling nut	132348	1
5	O-Ring	c/w Stem	1	25	Lock Ring	110716	1
6	Ball	110753	2	26	Coupling	132339	1
7	Valve Stem c/w O-Ring	110754	1	27	Coupling Nut	132350	1
8	O-Ring	132310	1	28	Retainer Ring	132351	1
9	Motor Housing	110715	1	29	Ball Bearing	141852	1
10	Valve Bushing	110756	1	30	Housing Cap	110717	1
11	Standard Lever	110779	1	31	Spindle Housing 5"	132341	1
12	Lever Pin	110780	1	32	Spindle 5"	128142	1
13	Ball Bearing	116008	1	33	Ball Bearing	141851	2
14	Rear Bearing Plate	110765	1	34	Ball Bearing	141847	1
15	Roll Pin	110764	2	35	Collet Body	117898	1
16	Cylinder	110759	1	36	Collet Insert	124270	1
17	Rotor Blade	108929	4	37	Collet Nut	97881	1
18	Rotor	110760	1	38	Air Inlet	164840	1
19	Rotor Collar	132318	1	39	Spanner	110725	1
20	Steel Plate	110767	1	40	Spanner	110726	1