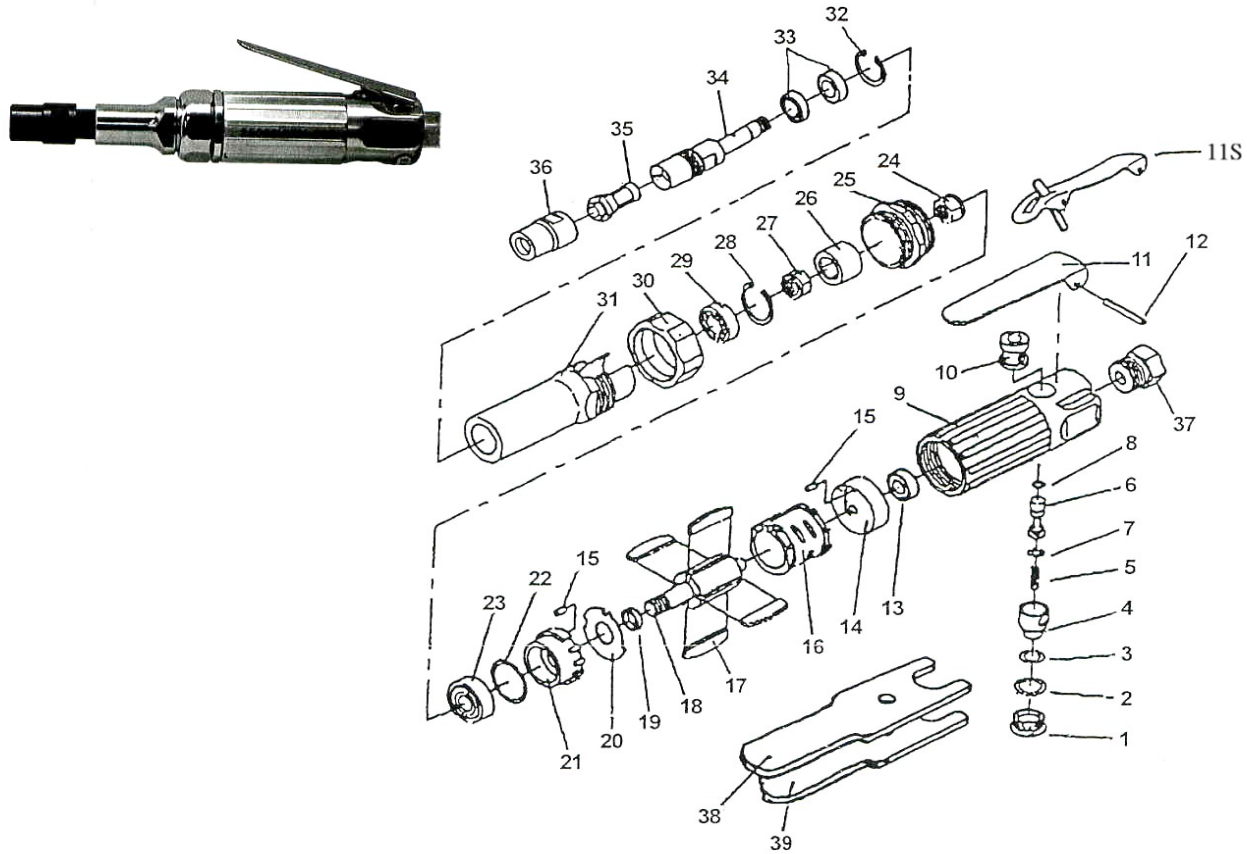




# HDG25-3FX1L & 3FX1S EXTENDED HEAVY DUTY DIE GRINDER

## Wespro Pneumatic Tools



| <u>No.</u> | <u>Description</u> | <u>Order Code</u> | <u>Qty</u> | <u>No.</u> | <u>Description</u>  | <u>Order Code</u> | <u>Qty</u> |
|------------|--------------------|-------------------|------------|------------|---------------------|-------------------|------------|
| 1          | Plug Screw         | 132304            | 1          | 20         | Steel Plate         | 110767            | 1          |
| 2          | O-Ring             | 132305            | 1          | 21         | Front Bearing Plate | 132273            | 1          |
| 3          | O-Ring             | 174494            | 1          | 22         | Shim Pack           | 110745            | 0-2        |
| 4          | Air Regulator      | 132307            | 1          | 23         | Ball Bearing        | 112040            | 1          |
| 5          | Valve Spring       | 110773            | 1          | 24         | Coupling nut        | 132348            | 1          |
| 6          | Valve Stem         | 132309            | 1          | 25         | Lock Ring           | 110716            | 1          |
| 7          | O-Ring             | 174495            | 1          | 26         | Coupling            | 132339            | 1          |
| 8          | O-Ring             | 132310            | 1          | 27         | Coupling Nut        | 132350            | 1          |
| 9          | Motor Housing      | 110715            | 1          | 28         | Retainer Ring       | 132351            | 1          |
| 10         | Valve Bushing      | 110756            | 1          | 29         | Ball Bearing        | 141852            | 1          |
| 11         | Standard Lever     | 110779            | 1          | 30         | Housing Cap         | 110717            | 1          |
| 11S        | Safety Lever       | 117793            | 1          | 31         | Spindle Housing 1"  | 189427            | 1          |
| 12         | Lever Pin          | 110780            | 1          | 32         | Retainer Ring       | 132353            | 1          |
| 13         | Ball Bearing       | 116008            | 1          | 33         | Ball Bearing        | 141851            | 2          |
| 14         | Rear Bearing Plate | 110765            | 1          | 34         | Spindle 1"          | 132354            | 1          |
| 15         | Locating Pin       | 110764            | 2          | 35         | Collet Insert       | 124270            | 1          |
| 16         | cylinder           | 110759            | 1          | 36         | Collet Nut          | 97881             | 1          |
| 17         | Rotor Blade        | 108929            | 4          | 37         | Air Inlet           | 164840            | 1          |
| 18         | Rotor              | 110760            | 1          | 38         | Wrench              | 110725            | 1          |
| 19         | Rotor Collar       | 132318            | 1          | 39         | Wrench              | 110726            | 1          |