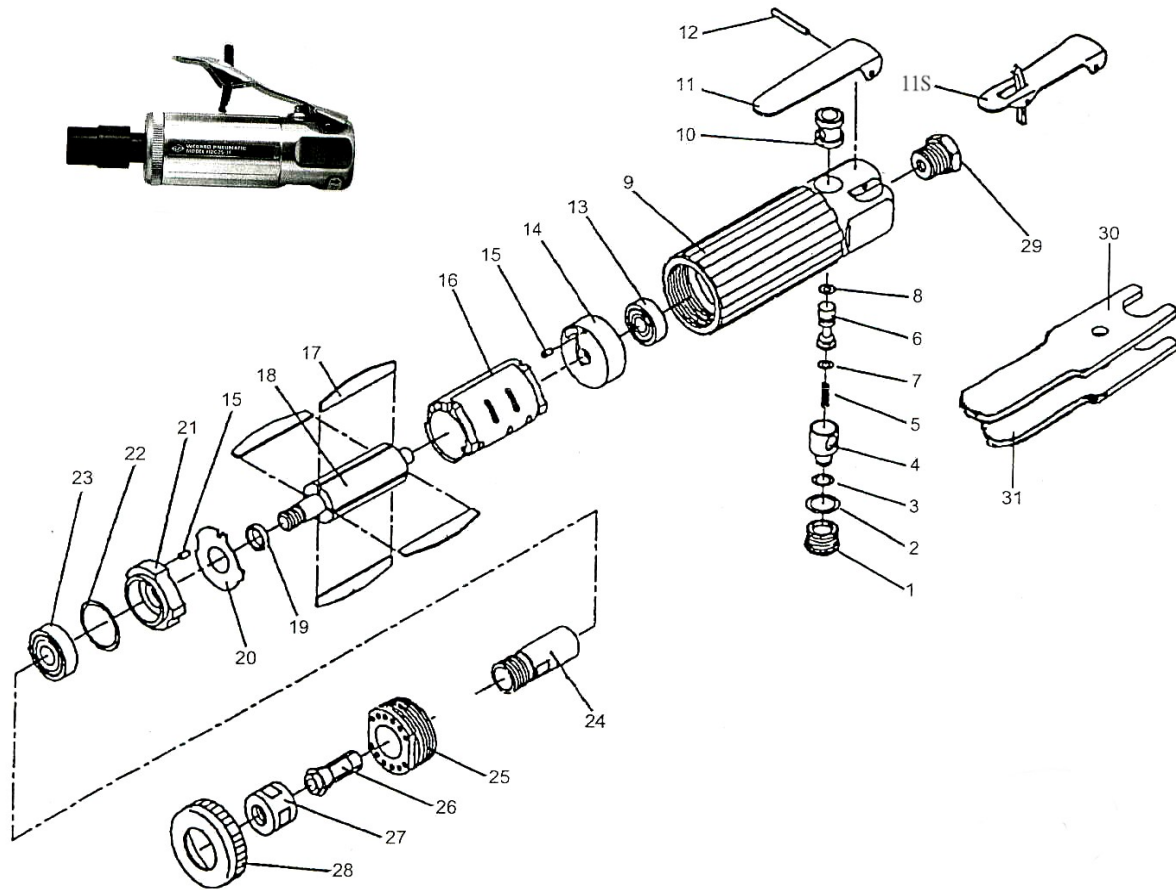




HDG25-3FL & 3FS

HEAVY DUTY DIE GRINDER

Wespro Pneumatic Tools



| <u>No.</u> | <u>Description</u> | <u>Order Code</u> | <u>Qty</u> | <u>No.</u> | <u>Description</u> | <u>Order Code</u> | <u>Qty</u> |
|------------|--------------------|-------------------|------------|------------|---------------------|-------------------|------------|
| 1 | Plug Screw | 132304 | 1 | 16 | cylinder | 110759 | 1 |
| 2 | O-Ring | 132305 | 1 | 17 | Rotor Blade | 108929 | 4 |
| 3 | O-Ring | 174494 | 1 | 18 | Rotor | 110760 | 1 |
| 4 | Air Regulator | 132307 | 1 | 19 | Rotor Collar | 132318 | 1 |
| 5 | Valve Spring | 110773 | 1 | 20 | Steel Plate | 110767 | 1 |
| 6 | Valve Stem | 132309 | 1 | 21 | Front Bearing Plate | 132273 | 1 |
| 7 | O-Ring | 174495 | 1 | 22 | Shim Pack | 110745 | 0-2 |
| 8 | O-Ring | 132310 | 1 | 23 | Ball Bearing | 112040 | 1 |
| 9 | Motor Housing | 110715 | 1 | 24 | Collet Body | 117898 | 1 |
| 10 | Valve Bushing | 110756 | 1 | 25 | Lock Ring | 110733 | 1 |
| 11 | Standard Lever | 110779 | 1 | 26 | Collet Insert | 124270 | 1 |
| 11S | Safety Lever | 117793 | 1 | 27 | Collet Nut | 97881 | 1 |
| 12 | Lever Pin | 110780 | 1 | 28 | Thread Guard | 110769 | 1 |
| 13 | Ball Bearing | 116008 | 1 | 29 | Air Inlet | 164840 | 1 |
| 14 | Rear Bearing Plate | 110765 | 1 | 30 | Wrench | 110725 | 1 |
| 15 | Locating Pin | 110764 | 2 | 31 | Wrench | 110726 | 1 |