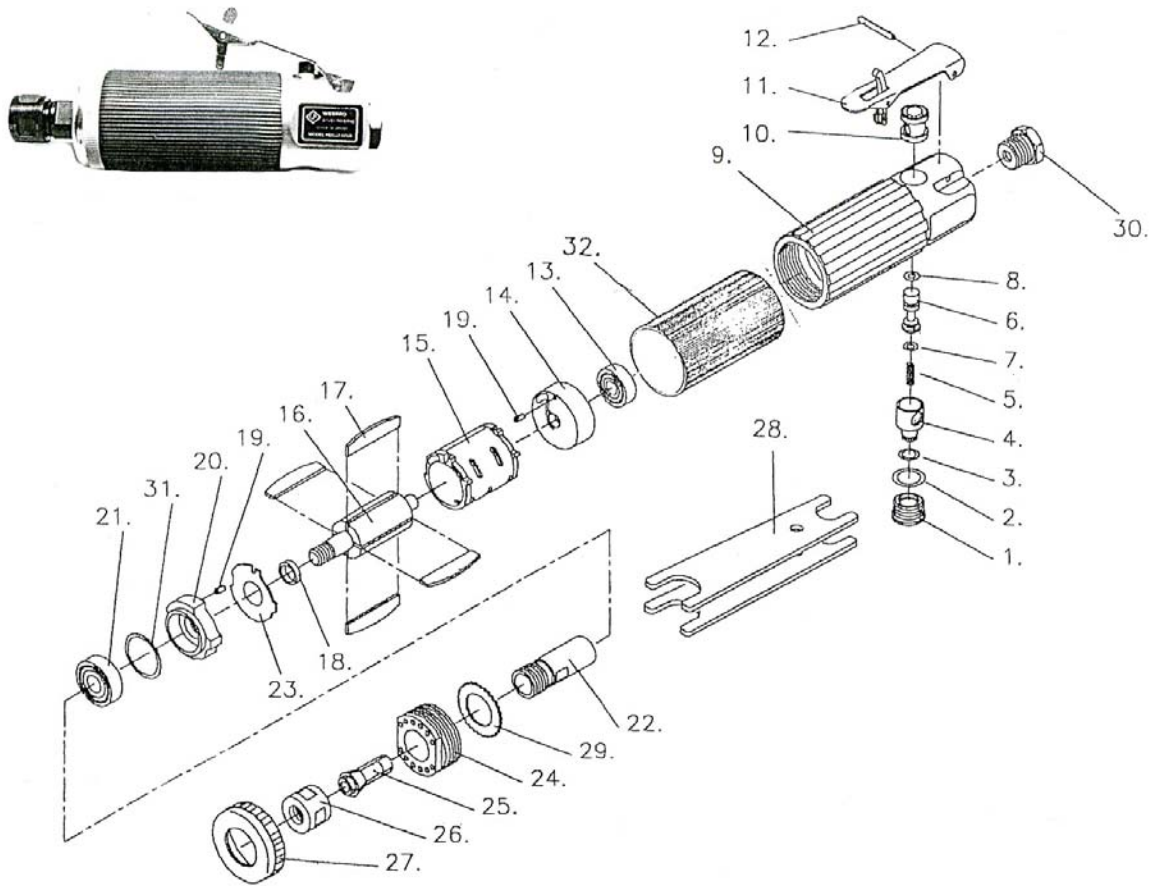




**HDG22-6FSRS**

**HEAVY DUTY DIE GRINDER**

**Wespro Pneumatic Tools**



<u>No.</u>	<u>Description</u>	<u>Order Code</u>	<u>Qty</u>	<u>No.</u>	<u>Description</u>	<u>Order Code</u>	<u>Qty</u>
1	Plug Screw c/w O-Ring	117859	1	17	Rotor Blade	110731	4
2	O-Ring	132362	1	18	Spacer	110732	1
3	O-Ring	132306	1	19	Locating Pin	110764	2
4	Air Regulator c/w O-Ring	117858	1	20	Front Bearing Plate	110734	1
5	Valve Spring	110773	1	21	Ball Bearing	112080	1
6	Valve Stem c/w O-Ring	117857	1	22	Collet Body	117897	1
7	O-Ring	132308	1	23	Steel Plate	110738	1
8	O-Ring	132363	1	24	Lock Ring	110739	1
9	Motor Housing	140078	1	25	Collet Insert	124269	1
10	Valve Bushing	110777	1	26	Collet Nut	83891	1
11	Safety Lever w/ roller	143267	1	27	Thread Guard	110742	1
12	Lever Pin	110780	1	28	Spanner	83894	2
13	Ball Bearing	112040	1	29	Anti-Noise Plate	132368	1
14	Rear Bearing Plate	110728	1	30	Air Inlet	132369	1
15	Cylinder	110729	1	31	Shim Pack	132371	0-2
16	Rotor	110730	1	32	Sleeve	142533	1

hdg22-6fsrs 04/4