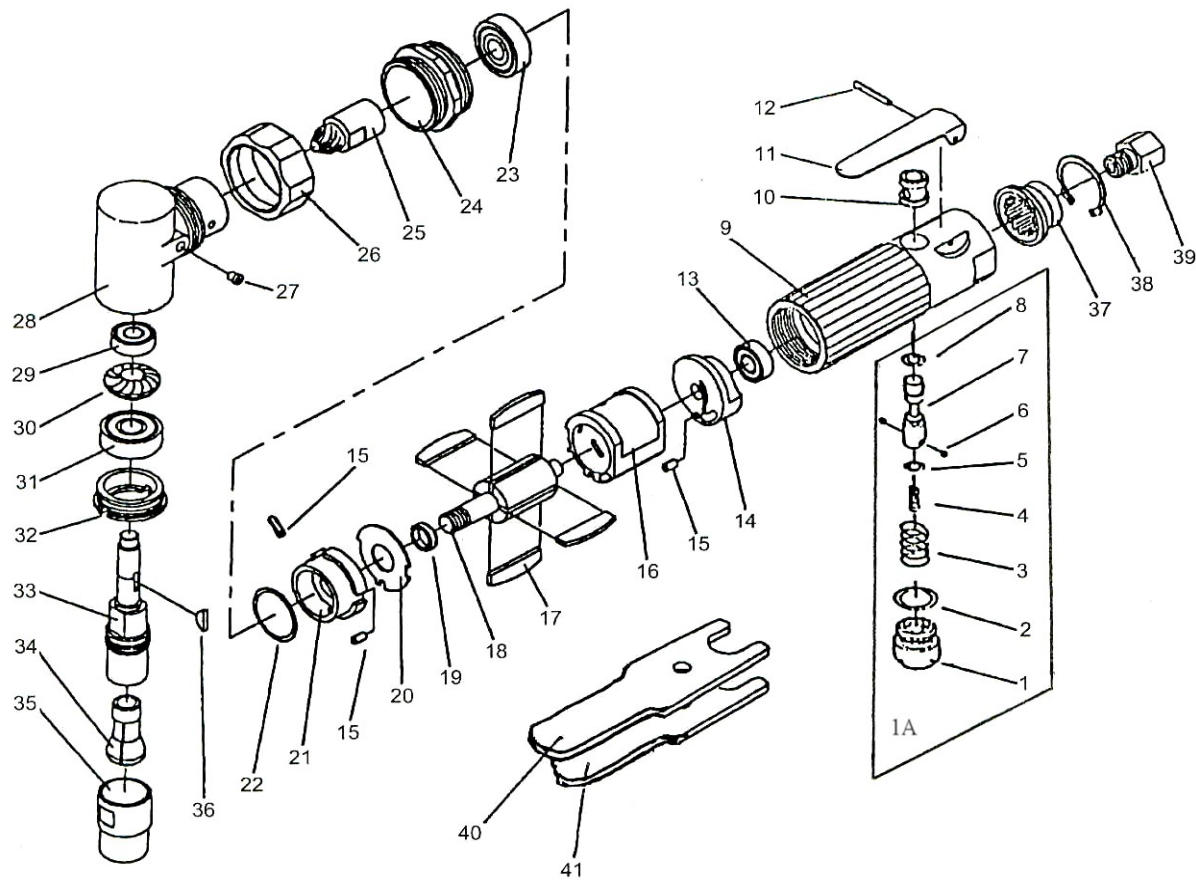




**HDG18A-3RB**

**HEAVY DUTY ANGLE DIE GRINDER**

**Wespro Pneumatic Tools**



<u>No.</u>	<u>Description</u>	<u>Order Code</u>	<u>Qty</u>	<u>No.</u>	<u>Description</u>	<u>Order Code</u>	<u>Qty</u>
1A	Plug Assembly	168793	1	22	Shim Pack	110745	0-2
2	O-Ring	132305	1	23	Ball Bearing	112040	1
3	Spring	110751	1	24	Lock Ring	110716	1
4	Spring	110752	1	25	Pinion Gear	116595	1
5	O-Ring	With Stem	1	26	Housing Cap	110717	1
6	Ball	110753	2	27	Grease Cap	110727	1
7	Valve Stem	110754	1	28	Angle Housing	110718	1
8	O-Ring	110755	1	29	Ball Bearing	116008	1
9	Motor Housing	132326	1	30	Bevel Gear	110721	1
10	Valve Bushing	110756	1	31	Ball Bearing	112040	1
11	Standard Lever	110779	1	32	Clamp nut	132322	1
12	Lever Pin	110780	1	33	Spindle	110724	1
13	Ball Bearing	116008	1	34	Collet Insert	124270	1
14	Rear Bearing Plate	132327	1	35	Collet Nut	97881	1
15	Locating Pin	110764	3	36	Woodruff Key	110723	1
16	Cylinder	110759	1	37	Muffler	187840	1
17	Rotor Blade	108929	4	38	Retaining Ring	112831	1
18	Rotor	110760	1	39	Air Inlet	132313	1
19	Rotor Collar	132318	1	40	Wrench	110725	1
20	Steel Plate	110767	1	41	Wrench	110726	1
21	Front Bearing Plate	132273	1				