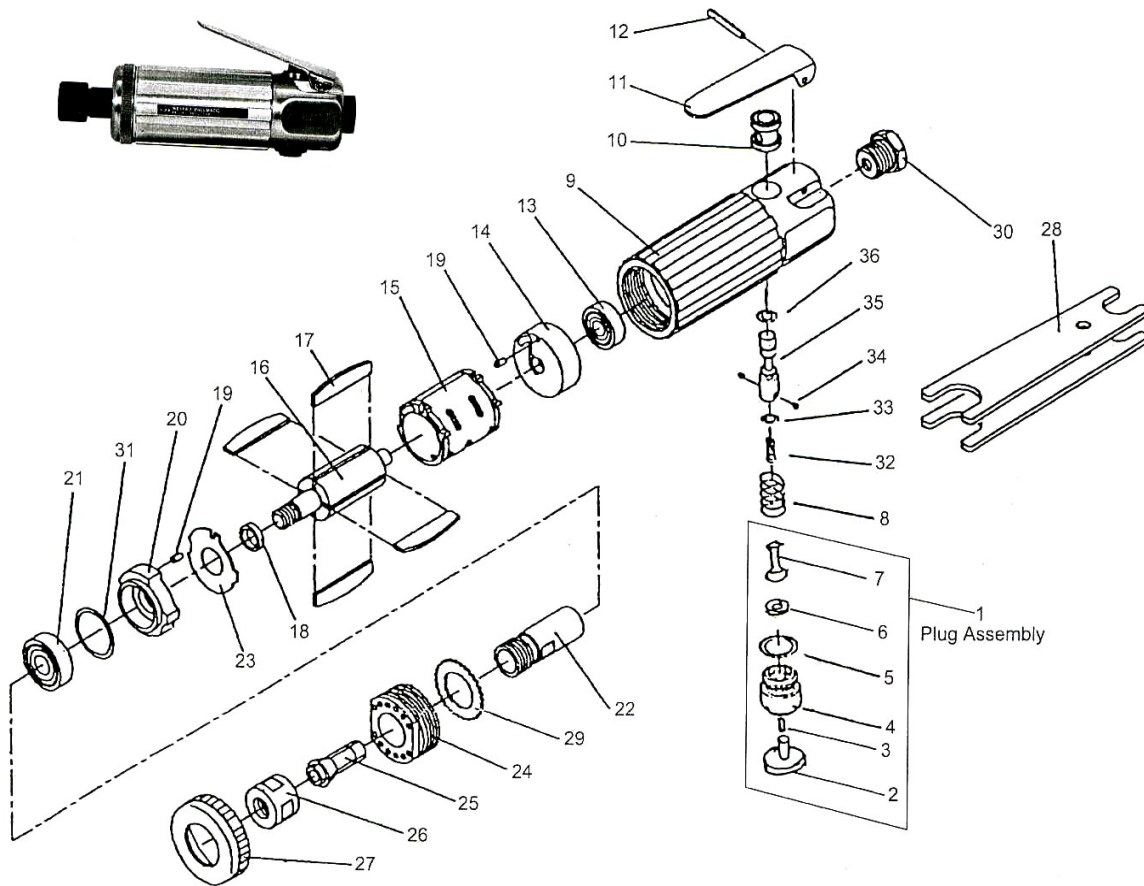




**HDG18-9FB**

**HEAVY DUTY DIE GRINDER**

**Wespro Pneumatic Tools**



<u>No.</u>	<u>Description</u>	<u>Order Code</u>	<u>Qty</u>	<u>No.</u>	<u>Description</u>	<u>Order Code</u>	<u>Qty</u>
1	Plug Assembly	110771	1	19	Locating Pin	110764	2
2	Plug	135696	1	20	Front Bearing Plate	110734	1
3	Pin	143334	1	21	Ball Bearing	112080	1
4	Plug Screw	143335	1	22	Collet Body	117897	1
5	O-Ring	143336	1	23	Steel Plate	110738	1
6	PU Seal	110737	1	24	Lock Ring	110739	1
7	Stem	143337	1	25	Collet Insert	124269	1
8	Spring	110772	1	26	Collet Nut	83891	1
9	Motor Housing	125835	1	27	Thread Guard	110742	1
10	Valve Bushing	110777	1	28	Wrench	110743	2
11	Standard Lever	110779	1	29	Anti-Noise Plate	132368	1
12	Lever Pin	110780	1	30	Air Inlet	132369	1
13	Ball Bearing	112040	1	31	Shim Pack	132371	0-2
14	Rear Bearing Plate	110728	1	32	Spring	143338	1
15	Cylinder	110782	1	33	O-Ring	116340	1
16	Rotor	110783	1	34	Steel Ball	110753	2
17	Rotor Blade	110784	4	35	Valve	110774	1
18	Spacer	110732	1	36	O-Ring	110775	1