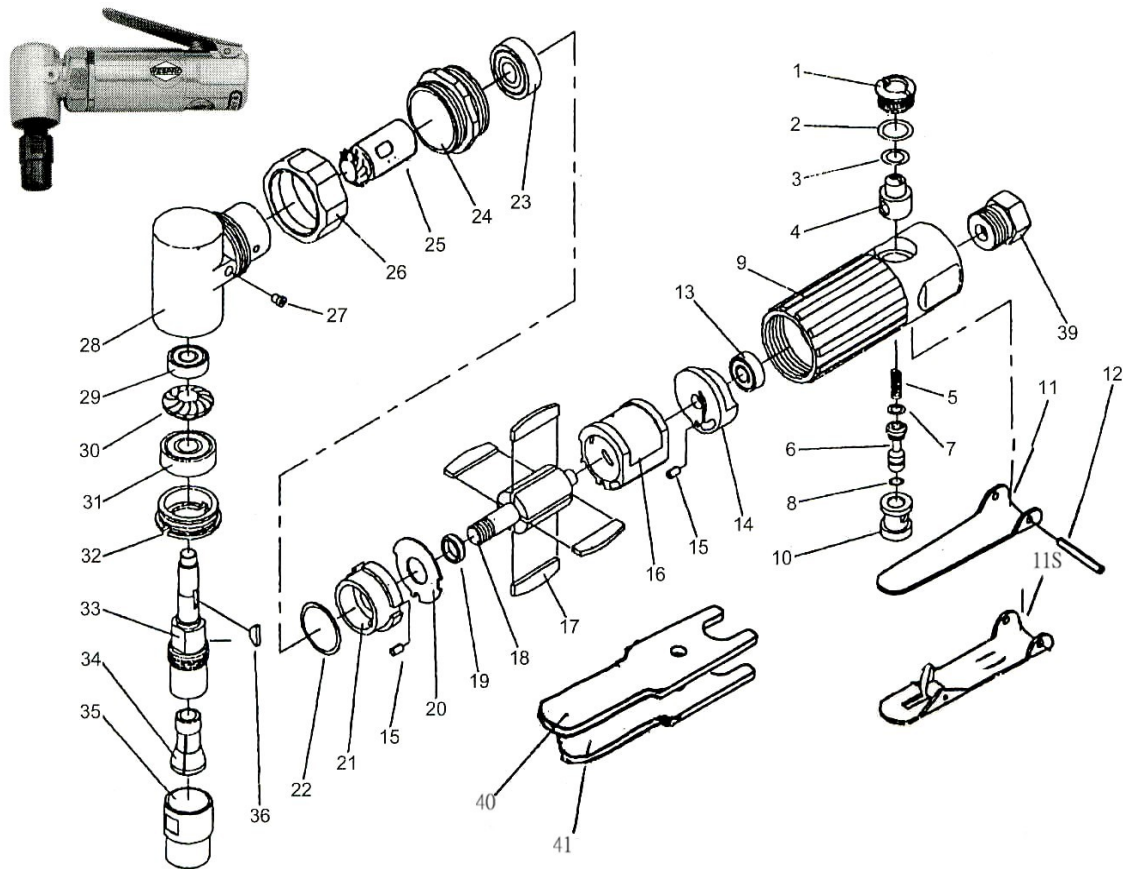




HDG12A-3FL & 3FS HEAVY DUTY ANGLE DIE GRINDER

Wespro Pneumatic Tools



<u>No.</u>	<u>Description</u>	<u>Order Code</u>	<u>Qty</u>	<u>No.</u>	<u>Description</u>	<u>Order Code</u>	<u>Qty</u>
1	Plug Screw	132304	1	20	Steel Plate	110767	
2	O-Ring	132305	1	21	Front Bearing Plate	132273	1
3	O-Ring	174494	1	22	Shim Pack	110745	0-2
4	Air Regulator	132307	1	23	Ball Bearing	112040	1
5	Valve Spring	110773	1	24	Lock Ring	110716	1
6	Valve Stem	132309	1	25	Pinion Gear	146984	1
7	O-Ring	174495	1	26	Housing Cap	110717	1
8	O-Ring	132310	1	27	Grease Cap	110727	1
9	Motor Housing	110715	1	28	Angle Housing	110718	1
10	Valve Bushing	110756	1	29	Ball Bearing	116008	1
11	Standard Lever	110779	1	30	Bevel Gear	146985	1
11S	Safety Lever	117793	1	31	Ball Bearing	112040	1
12	Lever Pin	110780	1	32	Clamp nut	132322	1
13	Ball Bearing	116008	1	33	Spindle	110724	1
14	Rear Bearing Plate	110765	1	34	Collet Insert	124270	1
15	Locating Pin	110764	2	35	Collet Nut	97881	1
16	cylinder	110759	1	36	Woodruff Key	110723	1
17	Rotor Blade	108929	4	39	Air Inlet	164840	1
18	Rotor	110760	1	40	Wrench	110725	1
19	Rotor Collar	132318	1	41	Wrench	110726	1