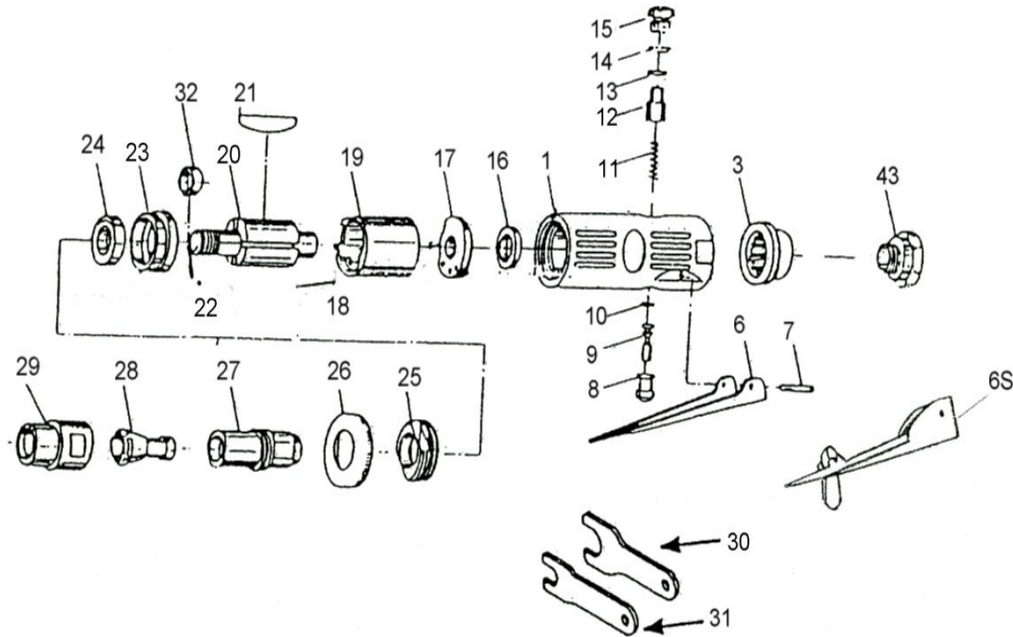




DG25H & DG25HS Wespro Pneumatic Tools

DIE GRINDER



<u>No.</u>	<u>Description</u>	<u>Order Code</u>	<u>Qty</u>	<u>No.</u>	<u>Description</u>	<u>Order Code</u>	<u>Qty</u>
1	Body with Bushing	167018	1	19	Cylinder	125523	1
3	End Cap	140978	1	20	Rotor	125525	1
6	Throttle Lever	125516	1	21	Rotor Blade	125524	4
6s	Safety Lever	125579	1	22	Steel Ball	192941	1
7	Lever Pin	125517	1	23	Front End Plate	165237	1
8	Valve Bushing	125515	1	24	Ball Bearing	112040	1
9	Throttle Valve	125512	1	25	Lock Nut	192942	1
10	O-Ring	125511	1	26	Housing Cap	167019	1
11	Throttle Valve Spring	125510	1	27	Spindle	97879	1
12	Air Regulator	125509	1	28	Collet	124270	1
13	O-Ring	125508	1	29	Collet Nut	97881	1
14	O-Ring	125507	1	30	Wrench	110726	1
15	Valve Screw	125506	1	31	Wrench	110725	1
16	Ball Bearing	112062	1	32	Rotor Collar	125526	1
17	Rear End Plate	192940	1	43	Air Inlet	124724	1
18	Motor Align Pin	150326	1				