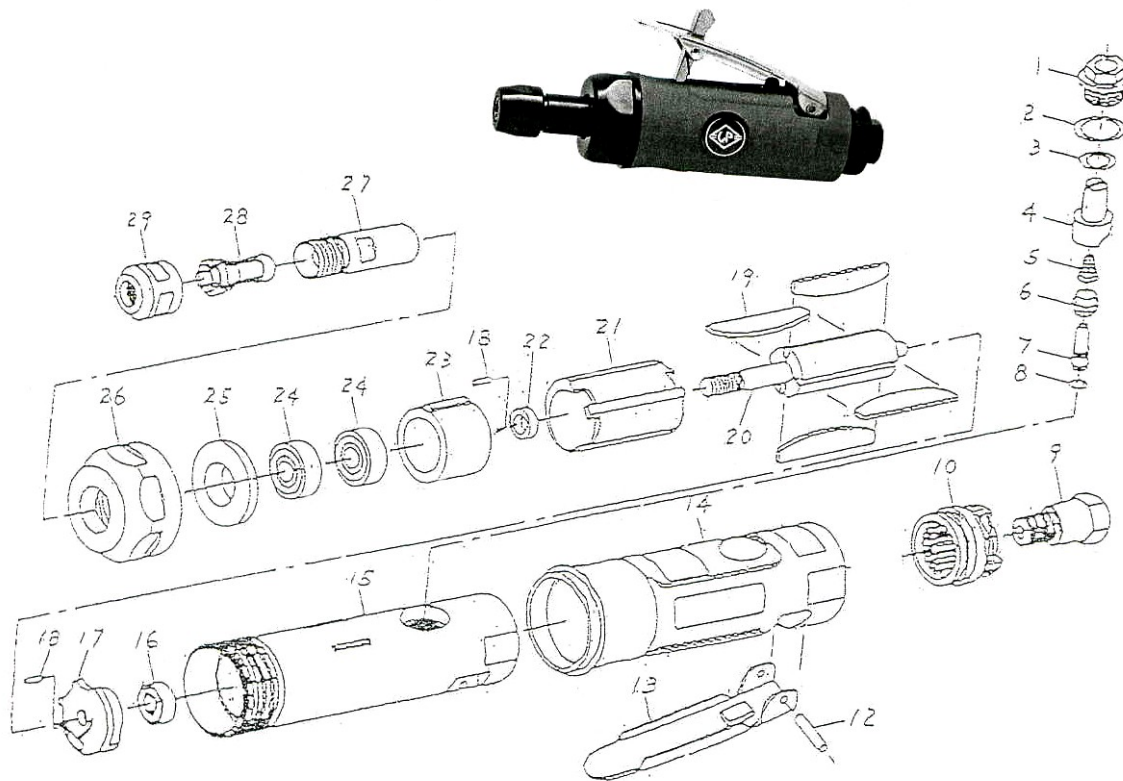




DG25GS INSUL GRIP STRAIGHT DIE GRINDER

Wespro Pneumatic Tools



<u>No.</u>	<u>Description</u>	<u>Order Code</u>	<u>Qty</u>	<u>No.</u>	<u>Description</u>	<u>Order Code</u>	<u>Qty</u>
1	Plug Screw	179666	1	16	Ball Bearing	112060	1
2	O-Ring	169284	1	17	Rear End Plate	179672	1
3	O-Ring	169285	1	18	Locating Pin	179673	2
4	Air Regulator	179667	1	19	Rotor Blade	179686	4
5	Spring	166403	1	20	Rotor	179691	1
6	Valve Bushing	166404	1	21	Cylinder	179692	1
7	Valve Stem	179668	1	22	Spacer	179693	1
8	O-Ring	166406	1	23	Front End Plate	179694	1
9	Air Inlet	166407	1	24	Ball Bearing	112038	2
10	Exhaust Sleeve	179669	1	25	Washer	179700	1
12	Lever Pin	166409	1	26	Housing Cap	179701	1
13	Lever	166410	1	27	Collet Body	166422	1
13A	Lever c/w Safety Lock	188948	1	28	Collet	124270	1
14	Protecting Rubber	179670	1	29	Collet Nut	83891	1
15	Motor Housing	179671	1				