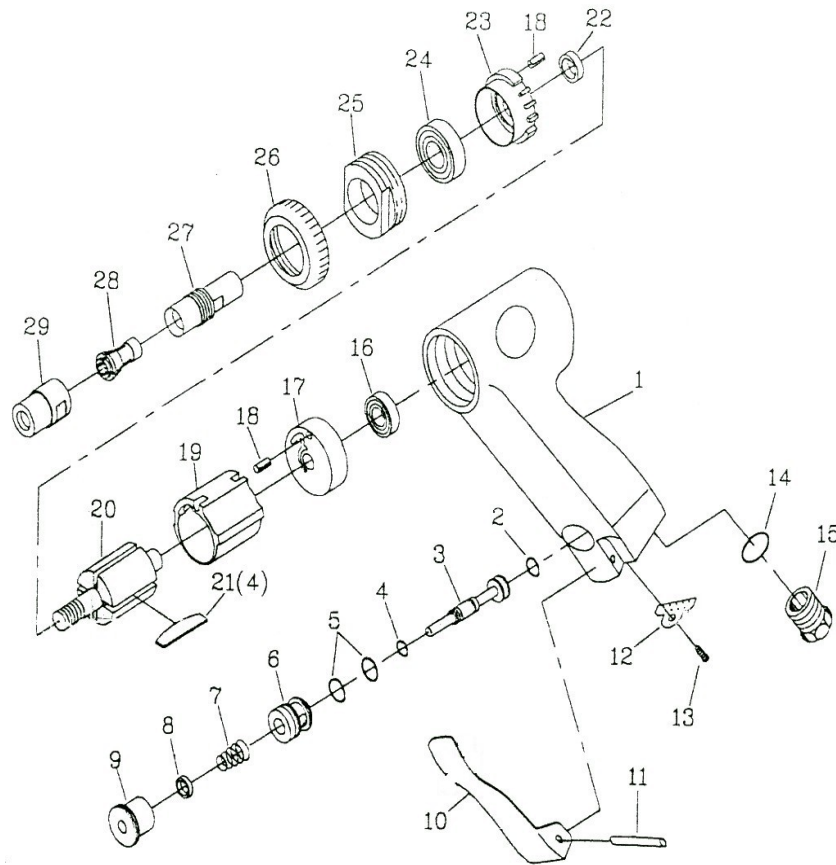




DG25ARP30

POLYMER HOUSING DIE GRINDER

Wespro Pneumatic Tools



<u>No.</u>	<u>Description</u>	<u>Order Code</u>	<u>Qty</u>	<u>No.</u>	<u>Description</u>	<u>Order Code</u>	<u>Qty</u>
1	Housing	159209	1	17	Rear End Plate	159220	1
2	O-Ring	197120	1	18	Dowel Pin	159195	2
3	Throttle Valve	159210	1	19	Cylinder	159222	1
4	O-Ring	159200	1	20	Rotor	159223	1
5	O-Ring	159212	2	21	Blade	159224	4
6	Valve Bushing	159213	1	22	Rotor Collar	159225	1
7	Valve Spring	159214	1	23	Front End Plate	159226	1
8	Retainer	159215	1	24	Ball Bearing	112038	1
9	Valve Screw	159216	1	25	Lock Nut	159228	1
10	Throttle Lever	159476	1	26	Housing Cap	159229	1
11	Lever Pin	159217	1	27	Spindle	159227	1
12	Exhaust Muffler	159218	1	28	Collet	124270	1
13	Exhaust Muffler Screw	159527	1	29	Collet Nut	97881	1
14	O-Ring	159201	1		Air Regulator	159477	1
15	Inlet Bushing	159219	1		Spanner (17 mm)	110726	1
16	Ball Bearing	112060	1		Spanner (11 mm)	110725	1