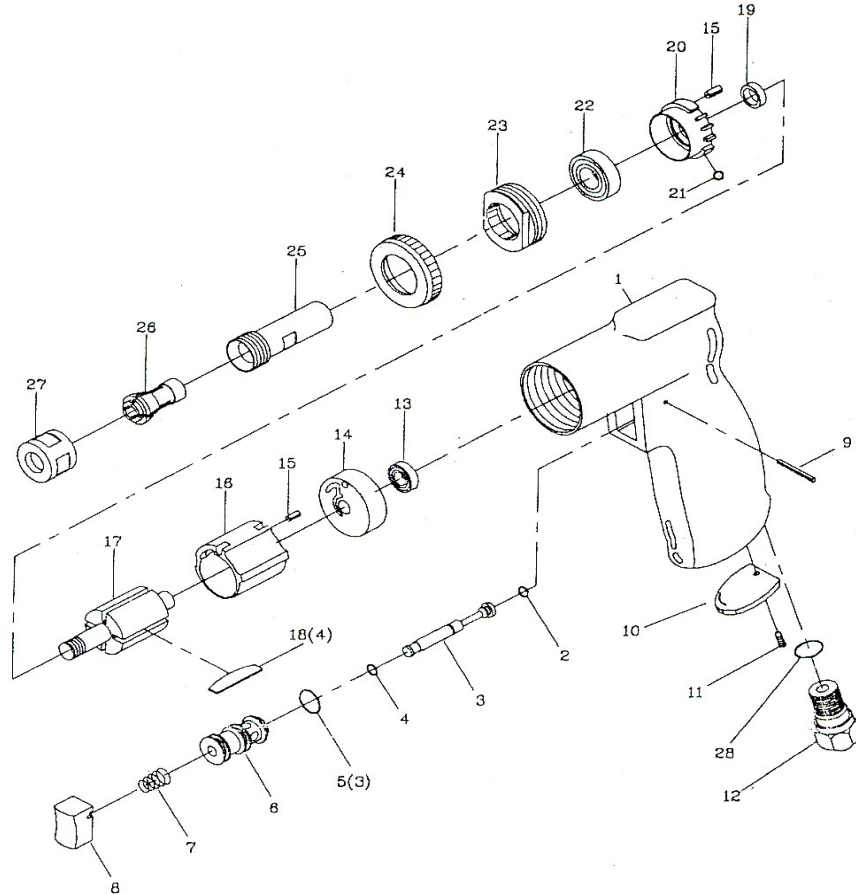




**DG22P**

**PISTOL GRIP DIE GRINDER**

**Wespro Pneumatic Tools**



<u>No.</u>	<u>Description</u>	<u>Order Code</u>	<u>Qty</u>	<u>No.</u>	<u>Description</u>	<u>Order Code</u>	<u>Qty</u>
1	Motor Housing	197480	1	16	Cylinder	148651	1
2	O-Ring	188149	1	17	Rotor	148652	1
3	Throttle Valve	159199	1	18	Rotor Blade	148653	4
4	O-Ring	159200	1	19	Rotor Collar	148654	1
5	O-Ring	188256	3	20	Front End Plate	172553	1
6	Reverse Bushing	159202	1	21	Locating Ball	172555	1
7	Valve Spring	159207	1	22	Ball Bearing	112028	1
8	Trigger	<b>WP 21511-09</b>	1	23	Lock Nut	192993	1
9	Spring Pin	159217	1	24	Housing Cap	172554	1
10	Exhaust Diffuser	197481	1	25	Spindle	169089	1
11	Muffler Screw	159527	1	26	Collet	124270	1
12	Inlet Bushing	197472	1	27	Collet Nut	97881	1
13	Ball Bearing	141852	1	28	O-Ring	188256	1
14	Rear End Plate	197482	1		Spanner (19 mm)	113101	1
15	Spring Pin	159195	1		Spanner (14 mm)	166515	1