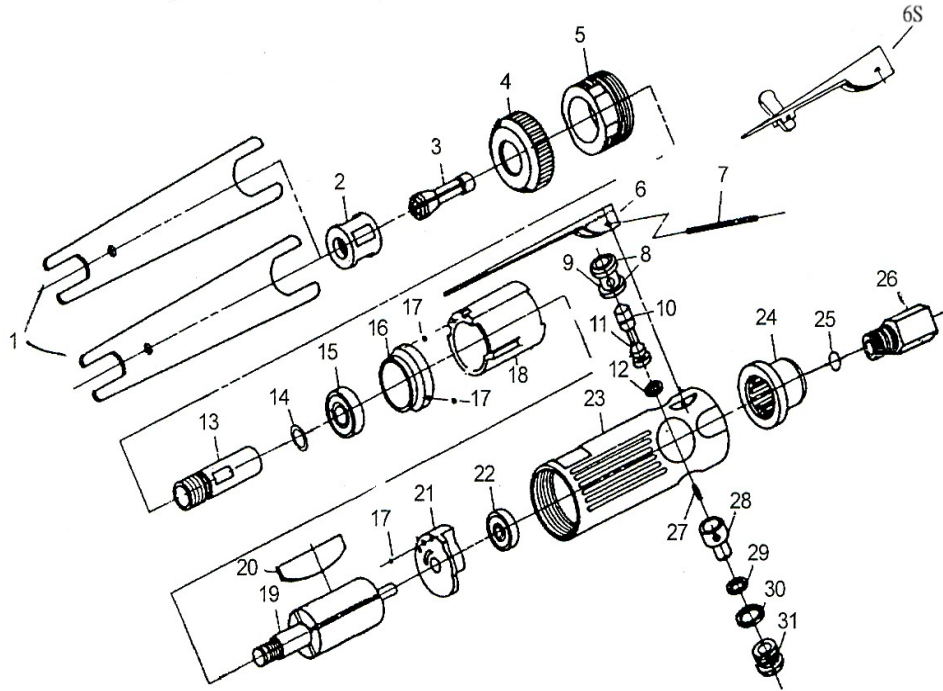
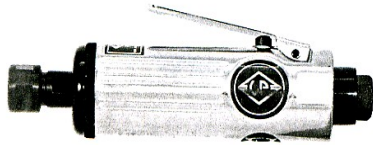




DG22H & DG22HS

DIE GRINDER

Wespro Pneumatic Tools



<u>No.</u>	<u>Description</u>	<u>Order Code</u>	<u>Qty</u>	<u>No.</u>	<u>Description</u>	<u>Order Code</u>	<u>Qty</u>
1	Spanner	110743	2	16	Front End Plate	125562	1
2	Collet Nut	83891	1	17	Ball	110753	3
3	Collet Insert	124269	1	18	Cylinder	125564	1
4	Housing Cap	125558	1	19	Rotor	125566	1
5	Retainer	125559	1	20	Rotor Blade	125567	4
6	Standard Lever	110779	1	21	Rear End Plate	125568	1
6S	Safety Lever	125579	1	22	Ball Bearing	112054	1
7	Throttle Lever Pin	125580	1	23	Motor Housing	125570	1
8	O-Ring	125560	2	24	Exhaust Deflector	125581	1
9	Valve	125578	1	25	O-Ring	125582	1
10	O-Ring	125565	1	26	Inlet Bushing	124053	1
11	Throttle Valve	125577	1	27	Spring	125575	1
12	O-Ring	125576	1	28	Air Regulator	125574	1
13	Collet Body	83888	1	29	O-Ring	125573	1
14	Washer	125583	1	30	O-Ring	125572	1
15	Ball Bearing	112028	1	31	Valve Screw	125571	1