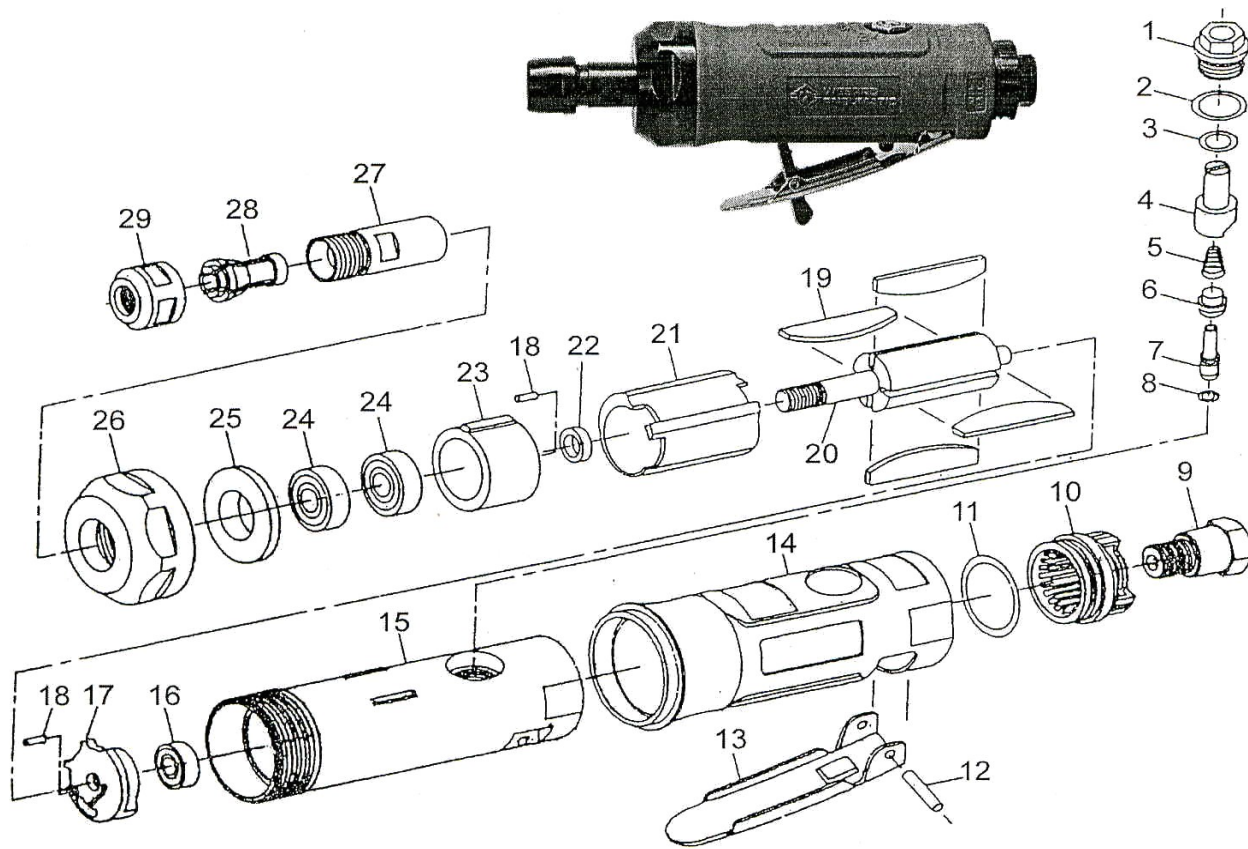




**DG22GS**

**INSUL GRIP STRAIGHT DIE GRINDER**

**Wespro Pneumatic Tools**



<u>No.</u>	<u>Description</u>	<u>Order Code</u>	<u>Qty</u>	<u>No.</u>	<u>Description</u>	<u>Order Code</u>	<u>Qty</u>
1	Plug Screw	166401	1	15	Motor Housing	166411	1
2	O-Ring	169284	1	16	Ball Bearing	112062	1
3	O-Ring	169285	1	17	Rear End Plate	166412	1
4	Air Regulator	166402	1	18	Locating Pin	166413	2
5	Spring	166403	1	19	Rotor Blade	166414	4
6	Valve Bushing	166404	1	20	Rotor	166416	1
7	Valve Stem	166405	1	21	Cylinder	166417	1
8	O-Ring	166406	1	22	Spacer	166418	1
9	Air Inlet	166407	1	23	Front End Plate	166419	1
10	Exhaust Sleeve	169286	1	24	Ball Bearing	112040	2
11	O-Ring	166408	1	25	Washer	166420	1
12	Lever Pin	166409	1	26	Housing Cap	166421	1
13	Lever	166410	1	27	Collet Body (8mm)	166422	1
13A	Lever c/w Safety Lock	188948	1	28	Collet	124270	1
14	Protecting Rubber	161395	1	29	Collet Nut	83891	1