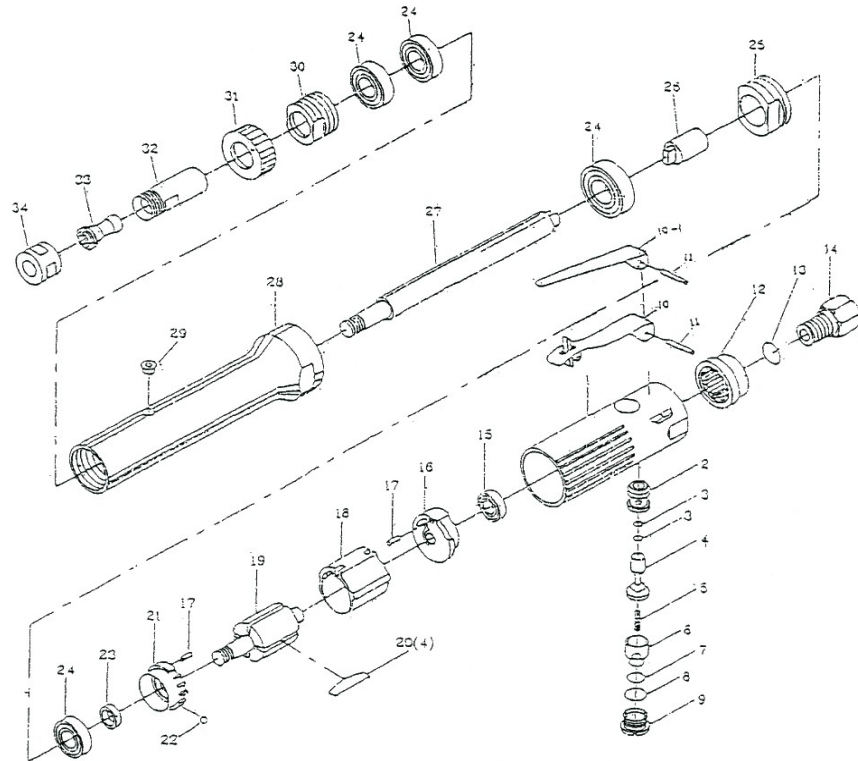
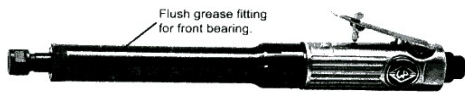




DG22EB & DG22EBS EXTENDED DIE GRINDER

Wespro Pneumatic Tools



<u>No.</u>	<u>Description</u>	<u>Order Code</u>	<u>Qty</u>	<u>No.</u>	<u>Description</u>	<u>Order Code</u>	<u>Qty</u>
1	Motor Housing	148641	1	19	Rotor	148652	1
2	Valve Bushing	148642	1	20	Rotor Blade	148653	4
3	O-Ring	188149	2	21	Front End Plate	172553	1
4	Valve Stem	148643	1	22	Steel Ball	172555	1
5	Spring	148645	1	23	Spacer	148654	1
6	Air Regulator	148646	1	24	Ball Bearing	112926	4
7	O-Ring	148647	1	25	Lock Nut	192993	1
8	O-Ring	148648	1	26	Coupling	148656	1
9	Valve Screw	148649	1	27	Spindle (5")	148658	1
10	Safety Throttle Lever	197471	1	28	Spindle Housing	197473	1
10-1	Throttle Lever	159476	1	29	Grease Fitting	197474	1
11	Pin	159217	1	30	Housing Nut	148659	1
12	Deflector	193280	1	31	Housing Cap	148660	1
13	O-Ring	159201	1	32	Collet Body	169089	1
14	Inlet Bushing	197472	1	33	Collet	124270	1
15	Ball Bearing	112038	1	34	Collet Nut	97881	1
16	Rear End Plate	148650	1		Spanner (19mm)	113101	1
17	Dowel Pin	159195	2		Spanner (14 mm)	166515	1
18	Cylinder	148651	1				