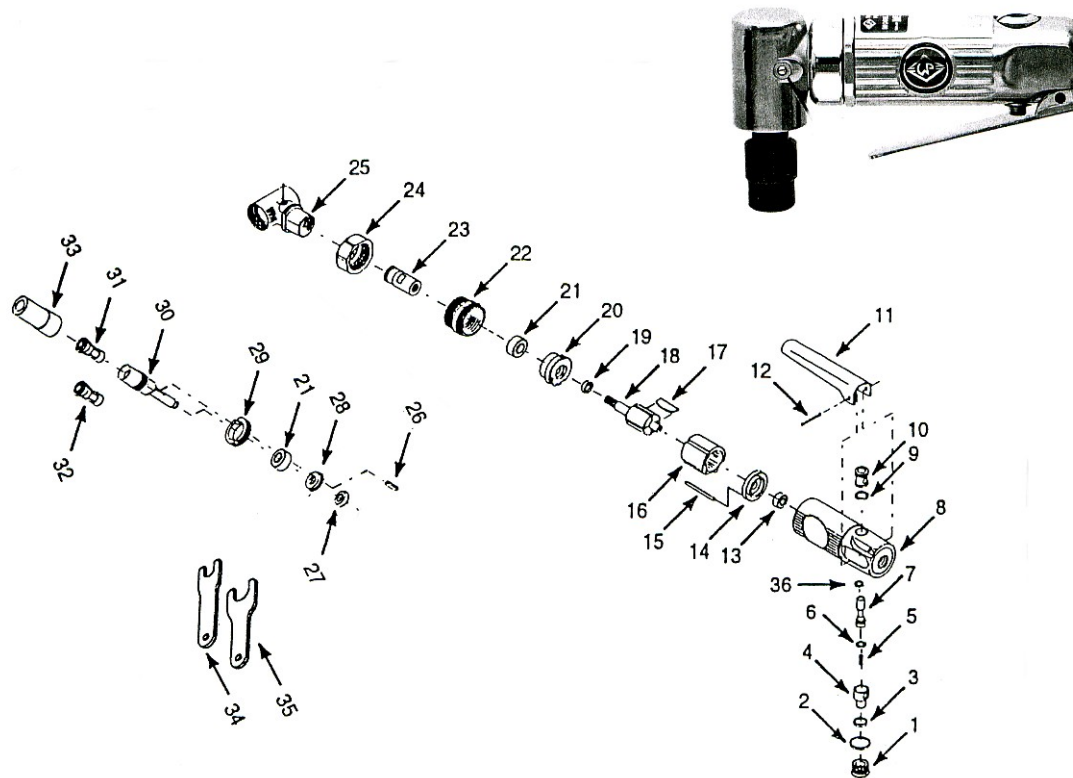




DG22AH & DG22AHS

Wespro Pneumatic Tools

ANGLE DIE GRINDER



<u>No.</u>	<u>Description</u>	<u>Order Code</u>	<u>Qty</u>	<u>No.</u>	<u>Description</u>	<u>Order Code</u>	<u>Qty</u>
1	Valve Screw	125506	1	18	Rotor	125525	1
2	O-Ring	125507	1	19	Rotor Collar	125526	1
3	O-Ring	125508	2	20	Front End Plate	125527	1
4	Air Regulator	125509	1	21	Ball Bearing	112039	2
5	Throttle Valve Spring	125510	1	22	Motor Clamp	125529	1
6	O-Ring	125511	1	23	Pinion Gear	125530	1
7	Throttle Valve	125512	1	24	Housing Lock Ring	125531	1
8	Motor Housing	125513	1	25	Angle Head Housing Ass'y	125532	1
9	O-Ring	125514	2	26	Woodruff Key	125533	1
10	Valve Bushing	125515	1	27	Ball Bearing	128454	1
11	Standard Lever	125516	1	28	Spindle Gear	125540	1
11S	Safety Lever	125579	1	29	Clamp Nut	125535	1
12	Lever Pin	125517	1	30	Spindle	125536	1
13	Ball Bearing	112062	1	31	Collet Insert	124270	1
14	Rear End Plate	125520	1	33	Collet Nut	97881	1
15	Pin	125522	1	34	Spanner (11MM)	110725	1
16	Cylinder	125523	1	35	Spanner (17MM)	110726	1
17	Rotor Blade	125524	4	36	O-Ring	125539	1