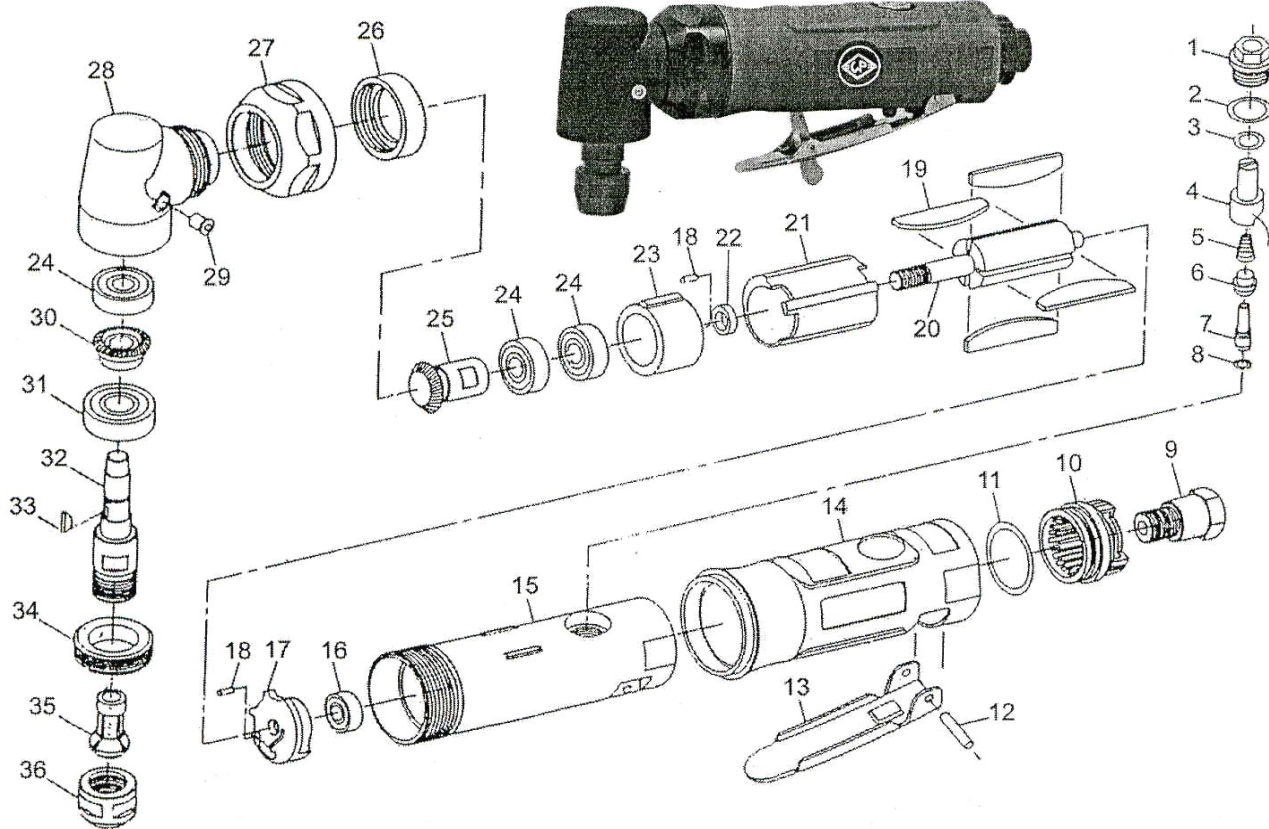




DG18AGS INSUL GRIP RIGHT ANGLE DIE GRINDER

Wespro Pneumatic Tools



<u>No.</u>	<u>Description</u>	<u>Order Code</u>	<u>Qty</u>	<u>No.</u>	<u>Description</u>	<u>Order Code</u>	<u>Qty</u>
1	Plug Screw	166401	1	19	Rotor Blade	166414	4
2	O-Ring	169284	1	20	Rotor	166416	1
3	O-Ring	169285	1	21	Cylinder	166417	1
4	Air Regulator	166402	1	22	Spacer	166418	1
5	Spring	166403	1	23	Front End Plate	166419	1
6	Valve Bushing	166404	1	24	Ball Bearing	112040	3
7	Valve Stem	166405	1	25	Bevel Gear	166498	1
8	O-Ring	166406	1	26	Clamp Nut	166499	1
9	Air Inlet	166407	1	27	Housing Cap	166500	1
10	Exhaust Sleeve	169286	1	28	Angle Housing	166501	1
11	O-Ring	166408	1	29	Grease Fitting	166502	1
12	Lever Pin	166409	1	30	Bevel Gear	166503	1
13	Lever	166410	1	31	Ball Bearing	112028	1
13A	Lever c/w Safety Lock	188948	1	32	Shaft	166504	1
14	Protecting Rubber	161395	1	33	Woodruff Key	166505	1
15	Motor Housing	166411	1	34	Clamp Nut	166506	1
16	Ball Bearing	112062	1	35	Collet	124270	1
17	Rear End Plate	166412	1	36	Collet Nut	83891	1
18	Location Pin	166413	2				