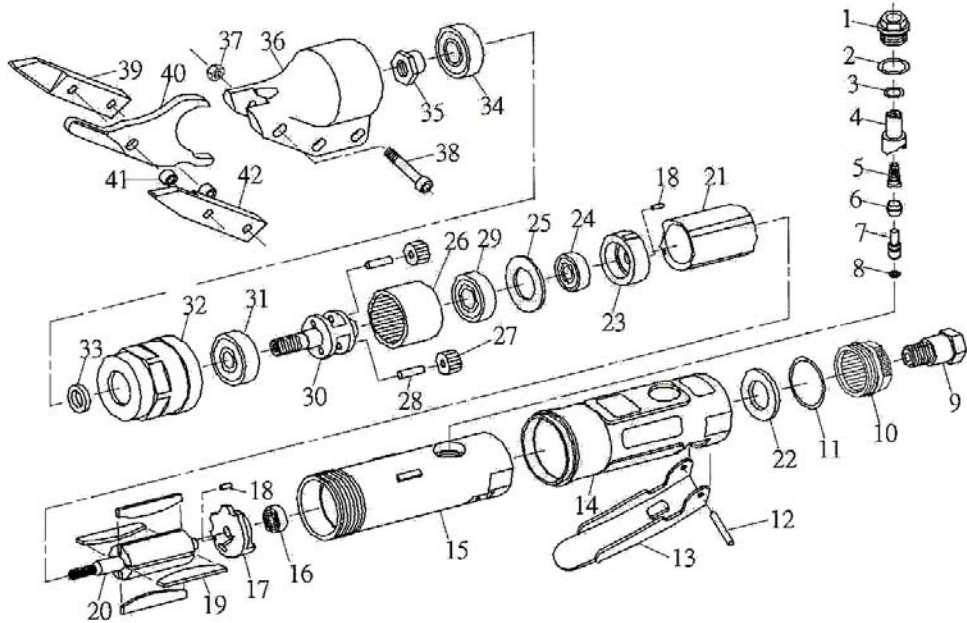




**SH18SG**

**INSUL GRIP AIR SHEARS**

**Wespro Pneumatic Tools**



\* Shear Head Assembly Order Code 158988 (Including #34 ~ 42)

<u>No.</u>	<u>Description</u>	<u>Order Code</u>	<u>Qty</u>	<u>No.</u>	<u>Description</u>	<u>Order Code</u>	<u>Qty</u>
1	Plug Screw	166401	1	22	Spacer	<b>WP 70022</b>	1
2	O-Ring	169284	1	23	Front End Plate	166419	1
3	O-Ring	169285	1	24	Ball Bearing	112040	1
4	Air Regulator	166402	1	25	Washer	174996	1
5	Spring	166403	1	26	Internal Gear	179474	1
6	Valve Bushing	166404	1	27	Planet Gear	175379	2
7	Valve Stem	166405	1	28	Planet Gear Pin	175375	2
8	O-Ring	166406	1	29	Ball Bearing	112031	1
9	Air Inlet	166407	1	30	Gear Cage	175000	1
10	Exhaust Sleeve	169286	1	31	Ball Bearing	112043	1
11	O-Ring	166408	1	32	Housing Cap	175377	1
12	Lever Pin	166409	1	33	Spacer	173503	1
13	Lever	166410	1	34	Ball Bearing	170884	1
14	Protecting Rubber	161395	1	35	Eccentric Nut	170886	1
15	Motor Housing	166411	1	36	Cutter Housing	172676	1
16	Ball Bearing	112062	1	37	Nut	149976	3
17	Rear End Plate	166412	1	38	Lock Screw	173495	3
18	Location Pin	166413	2	39	Left Blade	172677	1
19	Rotor Blade	166414	4	40	Center Blade	172678	1
20	Rotor	175378	1	41	Spacer	172680	2
21	Cylinder	166417	1	42	Right Blade	172679	1