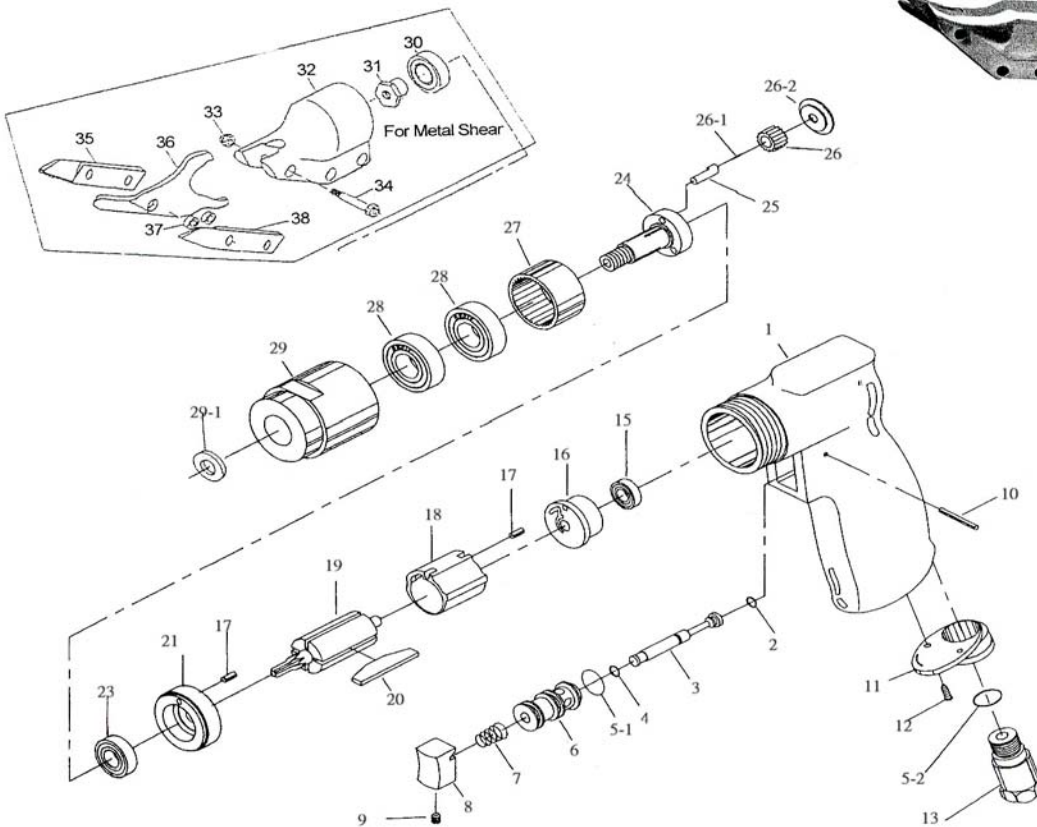




SH18B

AIR SHEAR

Wespro Pneumatic Tools



*** Shear Head Assembly Order code 158988**

No.	Description	Order Code	Qty	No.	Description	Order Code	Qty
1	Motor Housing	159193	1	21	Front End Plate	186722	1
2	O-Ring	148644	1	23	Ball Bearing	112040	1
3	Throttle Valve	159199	1	24	Planet Cage	159208	1
4	O-Ring	159200	1	25	Planet Pin	159231	3
5-1	O-Ring	159201	1	26	Planet Gear	159205	3
5-2	O-Ring	188151	1	26-1	Needle Bearing	197435	3
6	Reverse Bushing	159202	1	26-2	Washer	194376	1
7	Valve Spring	159207	1	27	Internal Gear	159204	1
8	Trigger	159203	1	28	Ball Bearing	112046	2
9	Set Screw	188259	1	29	Clamp Nut	159206	1
10	Spring Pin	159192	1	29-1	Washer	175002	1
11	Exhaust Diffuser	159189	1	30	Ball Bearing	12025	1
12	Screw	130282	2	31	Eccentric Nut	170886	1
13	Inlet Bushing	159190	1	32	Cutter Housing	172676	1
15	Ball Bearing	112040	1	33	Nut	149976	3
16	Rear End Plate	159194	1	34	Lock Screw	173495	3
17	Spring Pin	159195	2	35	Left Blade	172677	1
18	Cylinder	159230	1	36	Center Blade	172678	1
19	Rotor	159196	1	37	Spacer	172680	1
20	Rotor Blade	148653	5	38	Right Blade	172679	1