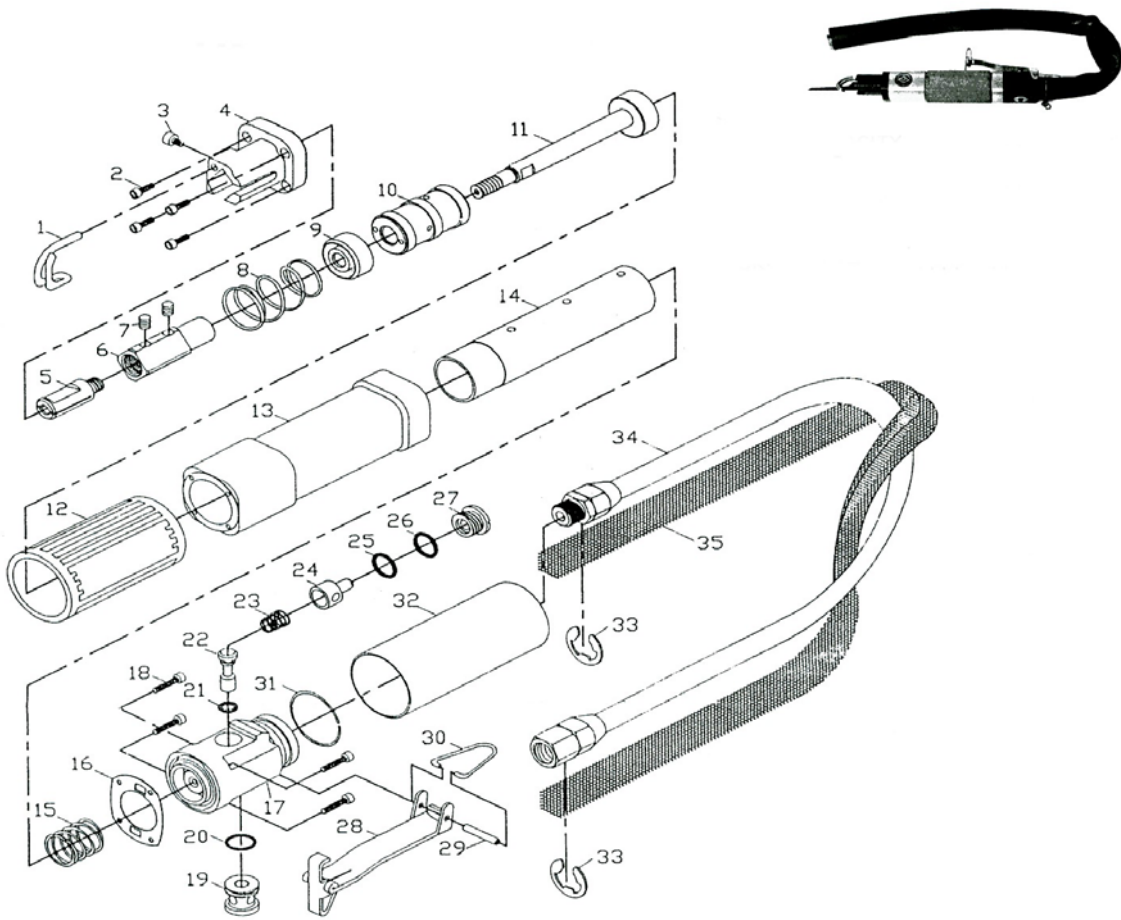




FS50

BODY SAW / FILE

Wespro Pneumatic Tools



*** Work Guide (Straight) (Optional) Order Code 111059.**

<u>No.</u>	<u>Description</u>	<u>Order Code</u>	<u>Qty</u>	<u>No.</u>	<u>Description</u>	<u>Order Code</u>	<u>Qty</u>
1	Work Guide (Angle)	111058	1	19	Valve Bushing	111079	1
2	Screw	32089	4	20	O-Ring	111080	1
3	Set Screw	111061	1	21	O-Ring	111081	1
4	Spindle Guide	111062	1	22	Valve Stem	111082	1
5	Blade Chuck	111063	1	23	Valve Spring	111083	1
6	Spindle	111064	1	24	Regulator	111085	1
7	Set Screw	111065	2	25	O-Ring	111086	1
8	Spring	111066	1	26	O-Ring	111087	1
9	Front Plate	111067	1	27	Valve Screw	111088	1
10	Piston	111068	1	28	Throttle Lever	111090	1
11	Drive Spindle	111070	1	29	Roll Pin	111091	1
12	Rubber Protector	111071	1	30	Hanger	111093	1
13	Body	111072	1	31	Snap Ring	111094	1
14	Cylinder	111073	1	32	Muffler	111095	1
15	Spring	111074	1	33	Retaining Ring	111096	2
16	Gasket	111076	1	34	Hose	111097	1
17	Valve Body	111077	1	35	Muffler Element	111098	1
18	Screw	111078	4				