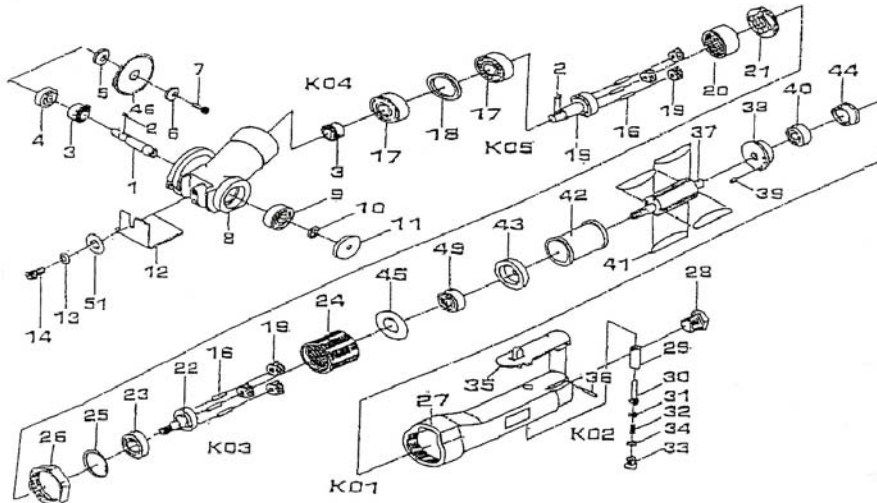




CS2620

2" CIRCULAR SAW

Wespro Pneumatic Tools



<u>No.</u>	<u>Description</u>	<u>Order Code</u>	<u>Qty</u>	<u>No.</u>	<u>Description</u>	<u>Order Code</u>	<u>Qty</u>
1	Driven Gear Shaft	178770	1	29	Throttle Valve	110943	1
2	Needle Roller	178764	2	30	Valve	217307	1
3	Bevel Gear	178771	2	31	O-Ring	81741	1
4	Ball Bearing	114319	1	32	Throttle Spring	110946	1
5	Saw Blade Flange	172803	1	33	Throttle Valve Plug	110947	1
6	Saw blade Bolt Flange	190048	1	34	O-Ring	101771	1
7	Cap Screw	81730	1	35	Throttle Lever Ass'y	114408	1
8	Bevel Gear Casing	178772	1	36	Spring Pin	101726	1
9	Ball Bearing	112028	1	37	Rotor	110936	1
10	External Stop Ring	81726	1	38	Rear End Plate	110938	1
11	Casing Cover	217282	1	39	Spring Pin	110940	1
12	Guide Plate	202107	1	40	Ball Bearing	112054	1
13	Spring Washer	217286	1	41	Rotor Blade	110937	4
14	Cap Screw	217293	1	42	Cylinder	110935	1
15	Main Shaft	217295	1	43	Front End Plate	110934	1
16	Needle Roller	129941	6	44	Bearing Cap	110942	1
17	Ball Bearing	112045	2	45	Washer	129939	1
18	Spacer Collar	105001	1	46	Saw Blade	See Wespro cat.	
19	Idler Gear	217297	6	47	Hex. Wrench	105038	2
20	Internal Gear (1)	217299	1	48	Hex. Wrench	101846	1
21	Bearing Support	110926	1	49	Ball Bearing	112040	1
22	Drive Shaft	178765	1	51	Plain Washer	217312	1
23	Ball Bearing	112031	1		Throttle Housing Kit		
24	Internal Gear (2)	178766	1	K01	#27 ~ 29, 35, 36	217314	1
25	Internal Stop Ring	217302	1	K02	Valve Kit #30 ~ 34	217315	1
26	Distance Nut	110928	1		Idler Gear Kit		
27	Throttle Handle	129936	1	K03	#16 (3), #19 (3), #22	217317	1
28	Air Inlet	81747	1	K04	Bevel Gear Kit #3 (2)	217328	1
				K05	Main Shaft Kit #2 (2), #15, #16 (3), #19 (3)	217330	1