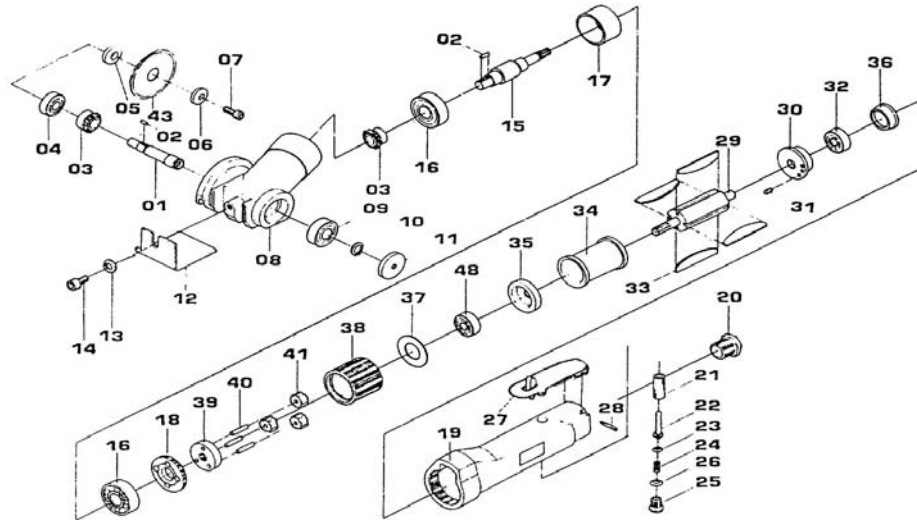




CS23500

2" CIRCULAR SAW

Wespro Pneumatic Tools



<u>No.</u>	<u>Description</u>	<u>Order Code</u>	<u>Qty</u>	<u>No.</u>	<u>Description</u>	<u>Order Code</u>	<u>Qty</u>
1	Driven Gear Shaft	178770	1	26	O-Ring	101771	1
2	Needle Roller	178764	2	27	Throttle Lever Ass'y	114408	1
3	Bevel Gear	178771	2	28	Spring Pin	101726	1
4	Ball Bearing	114319	1	29	Rotor	110936	1
5	Saw Blade Flange	172803	1	30	Rear End Plate	110938	1
6	Saw blade Bolt Flange	190048	1	31	Spring Pin	110940	1
7	Cap Screw	81730	1	32	Ball Bearing	112054	1
8	Bevel Gear Casing	178772	1	33	Rotor Blade	110937	4
9	Ball Bearing	112028	1	34	Cylinder	110935	1
10	External Stop Ring	81726	1	35	Front End Plate	110934	1
11	Casing Cover	WP SA-20L11	1	36	Bearing Cap	110942	1
12	Guide Plate	WP SA-20L12	1	37	Washer	110933	1
13	Spring Washer	WP SW2-060A	1	38	Internal Gear	110927	1
14	Cap Screw	WP B2-0610A	1	39	Idler Spindle	110929	1
15	Main Shaft	WP SA-20H15	1	40	Needle Roller	110930	3
16	Ball Bearing	112045	2	41	Idler Gear	110931	3
17	Spacer Collar	WP SA-20H17	1	42	Distance Nut	110928	1
18	Bearing Support	110926	1	43	Saw Blade	See Wespro cat.	
19	Throttle Handle	129936	1	46	Hex Wrench	105038	2
20	Air Inlet	81747	1	47	Hex Wrench	101846	1
21	Throttle Valve	110943	1	48	Ball Bearing	112040	1
22	Valve	WP SD-80031	1		Throttle Housing Kit		
23	O-Ring	81741	1	K01	#19 ~ 21, 27, 28	WP SA-20LK01	1
24	Throttle Spring	110946	1	K02	#19 ~ 21, 27, 28	WP SA-20LK02	1
25	Throttle Valve Plug	110947	1	K03	#19 ~ 21, 27, 28	110950	1
				K04	#19 ~ 21, 27, 28	WP SA-20LK04	1