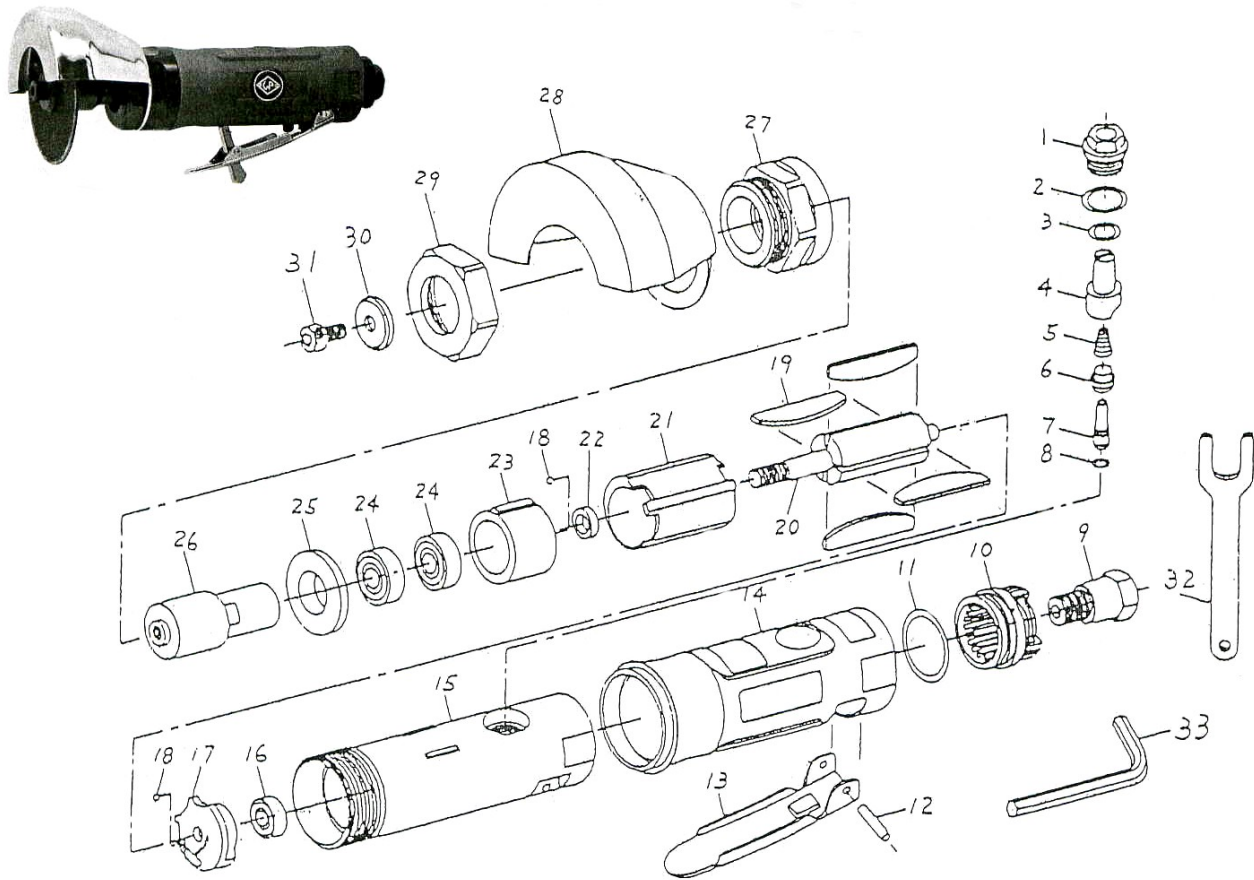




# C21GS INSUL GRIP CUT-OFF TOOL

Wespro Pneumatic Tools



\* 3" replacement cut-off wheel, order code 88782

No.	Description	Order Code	Qty	No.	Description	Order Code	Qty
1	Plug Screw	166401	1	17	Rear End Plate	166412	1
2	O-Ring	169284	1	18	Locating Pin	166413	2
3	O-Ring	169285	1	19	Rotor Blade	166414	4
4	Air Regulator	166402	1	20	Rotor	166416	1
5	Spring	166403	1	21	Cylinder	166417	1
6	Valve Bushing	166404	1	22	Spacer	166418	1
7	Valve Stem	166405	1	23	Front End Plate	166419	1
8	O-Ring	166406	1	24	Ball Bearing	112040	2
9	Air Inlet	166407	1	25	Washer	166420	1
10	Exhaust Sleeve	169286	1	26	Disc Retainer	166509	1
11	O-Ring	166408	1	27	Clamp Nut	166510	1
12	Lever Pin	166409	1	28	Wheel Guard	166511	1
13	Lever	166410	1	29	Nut	166512	1
13A	Lever c/w Safety Lock	188948	1	30	Washer	166513	1
14	Protecting Rubber	161395	1	31	Screw	166514	1
15	Motor Housing	166411	1	32	Spanner	166515	1
16	Ball Bearing	112062	1	33	Allen Wrench	31968	1