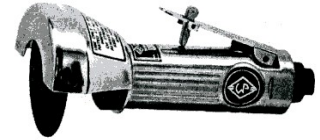
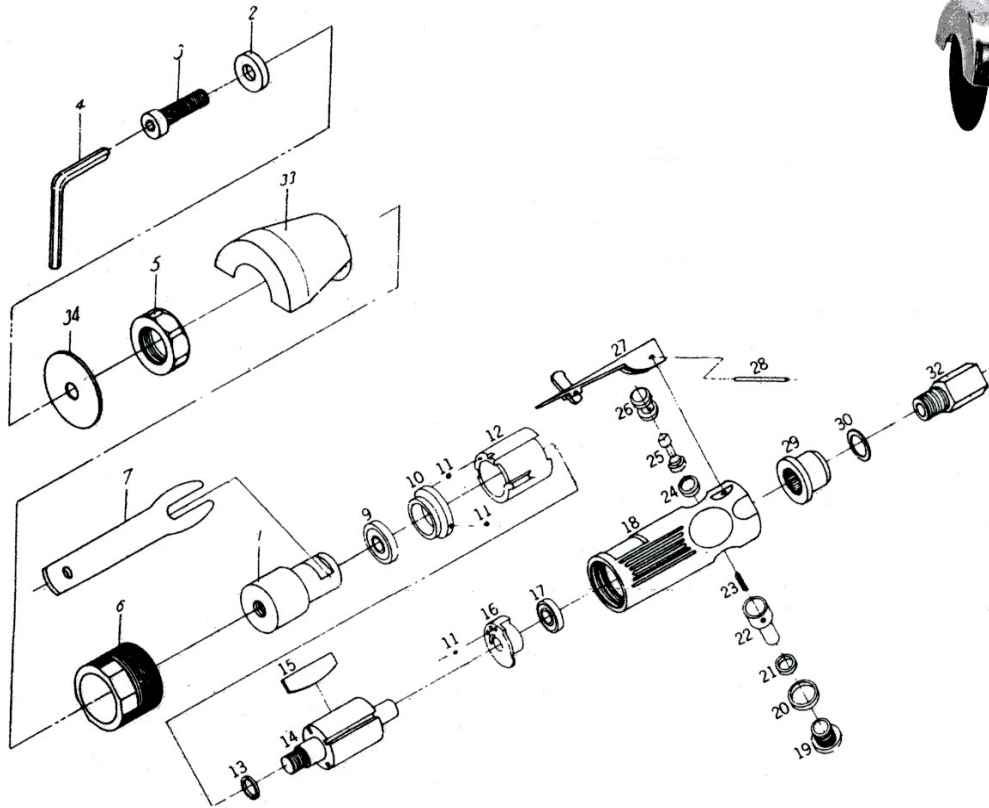




C20

3" CUT-OFF TOOL

Wespro Pneumatic Tools



<u>No.</u>	<u>Description</u>	<u>Order Code</u>	<u>Qty</u>	<u>No.</u>	<u>Description</u>	<u>Order Code</u>	<u>Qty</u>
1	Collet	139875	1	18	Motor Housing	125570	1
2	Spacer	166513	1	19	Throttle Valve Plug	125571	1
3	Cap Screw	139921	1	20	O-Ring	125572	1
4	Allen Wrench	101846	1	21	O-Ring	125573	1
5	Nut	101841	1	22	Air Regulator	125574	1
6	Retainer	101838	1	23	Valve Spring	125575	1
7	Wrench	166515	1	24	O-Ring	125576	1
9	Ball Bearing	112028	1	25	valve Stem	125577	1
10	Front End Plate	125562	1	26	Valve	125578	1
11	Ball	110753	3	27	Throttle Lever	125579	1
12	Cylinder	125564	1	28	Lever Pin	125580	1
13	Rotor Bushing	125583	1	29	Exhaust Deflector	125581	1
14	Rotor	125566	1	30	O-Ring	125582	1
15	Rotor Blade	125567	4	32	Air Inlet	124053	1
16	Rear End Plate	125568	1	33	Wheel Guard	166511	1
17	Ball Bearing	112054	1	34	Cut-Off Wheel	88782	1

C20 09/04

Western Office 604-298-2933 Eastern Office 905-839-6111 www.wesproproductiontools.com