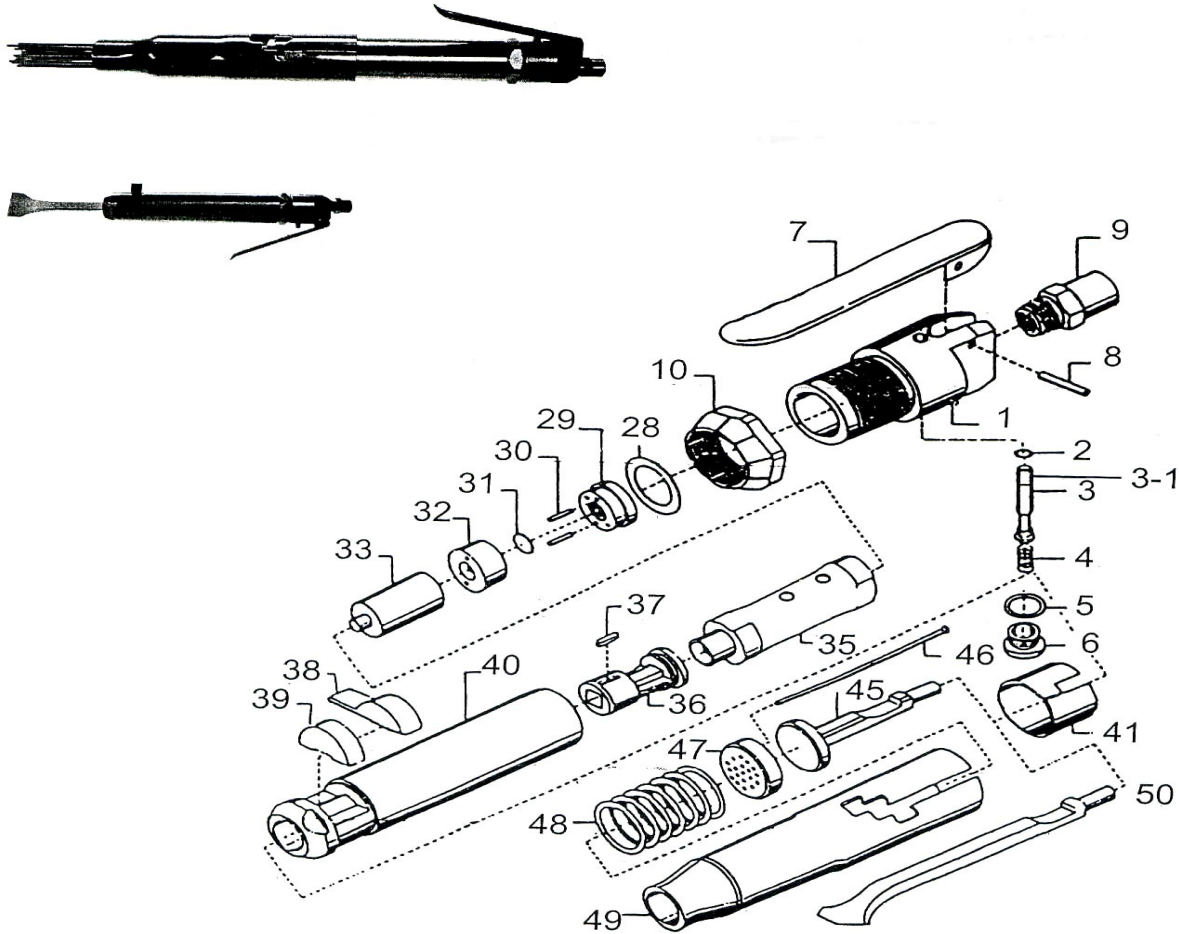




WFC-CLB1 & WNS-CLB1 FLUX CHIPPER / NEEDLE SCALER

Wespro Pneumatic Tools



* Needle Scaling Assembly Order Code 187159 (Including #45 ~ 49)

<u>No.</u>	<u>Description</u>	<u>Order Code</u>	<u>Qty</u>	<u>No.</u>	<u>Description</u>	<u>Order Code</u>	<u>Qty</u>
1	Cylinder Cap	217250	1	32	Front Valve Block	187156	1
2	O-Ring	96346	1	33	Piston	187157	1
3	Throttle Valve	187142	1	35	Barrel Sleeve	187158	1
3-1	O-Ring	217251	1	36	Nose	187145	1
4	Spring	187135	1	37	Key	187146	1
5	O-Ring	187139	1	38	Driver Retainer	187131	1
6	Valve Cap	187137	1	39	Retainer Buffer	187132	1
7	Lever	187141	1	40	Barrel	179139	1
8	Pin	187148	1	41	Retainer Clip	187133	1
9	Air Inlet	187150	1	45	Needle Shank	217253	1
10	Lock Ring	187143	1	46	Needle	60373	19
28	Shim	187152	2	47	Needle Flange	214974	1
29	Rear Valve Block	187153	1	48	Spring	217254	1
30	Pin	187154	1	49	Needle Cover	187140	1
31	Valve	187155	1	50	Chisel	60484	1