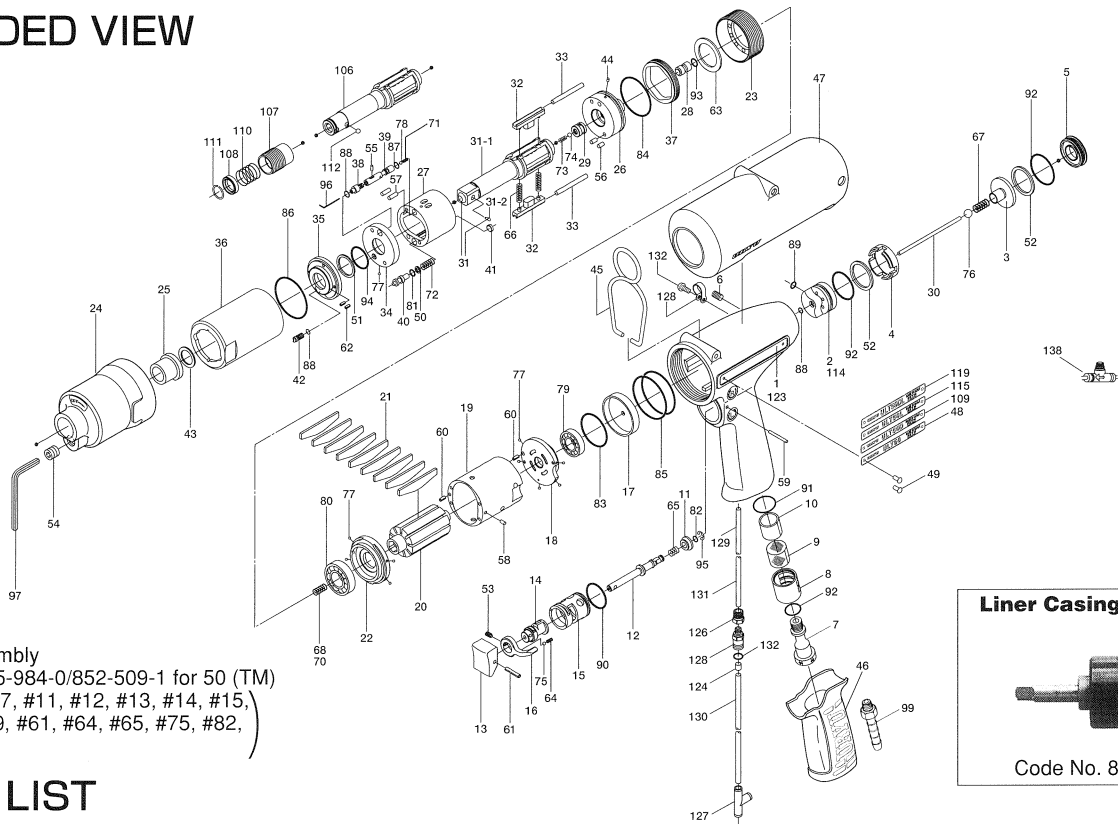


ULT50 SERIES OIL-PULSE WRENCHES

EXPLODED VIEW



Handle Assembly
Code No. 145-984-0/852-509-1 for 50 (TM)
(#1 or #123, #7, #11, #12, #13, #14, #15,
#16, #53, #59, #61, #64, #65, #75, #82,
#90)

PARTS LIST

| Index No. | Code No. | Parts Name | Quantity | Index No. | Code No. | Parts Name | Quantity | Index No. | Code No. | Parts Name | Quantity |
|-----------|-----------|----------------------------|----------|-----------|-----------|--------------------------------------|----------|----------------------------|-----------|--------------------------------|----------|
| # 1 | 145-025-0 | ○ Handle | 1 | #45 | 174-790-0 | Suspension Ring | 1 | #87 | 990-621-0 | O-Ring (3.8×1.8×1.0) | 1 |
| # 2 | 145-253-0 | ○ Shut-off Valve Bushing | 1 | #46 | 147-842-2 | Handle Cover | 1 | #88 | 990-900-0 | O-Ring (SNS-2) | 3 |
| # 3 | 145-254-6 | ○ Shut-off Valve | 1 | #47 | 145-840-7 | Casing Cover | 1 | #89 | 990-901-0 | O-Ring (SNS-3) | 1 |
| # 4 | 145-684-6 | ○ Cushion Spacer | 1 | #48 | 145-924-0 | Name Plate (ULT50) | 1 | #90 | 990-912-0 | ○ O-Ring (SNS-14) | 1 |
| # 5 | 145-019-6 | ○ Valve Cover | 1 | #49 | 930-205-0 | Pin (No.0×2.6) | 2 | #91 | 990-914-0 | O-Ring (SNS-16) | 1 |
| # 6 | 150-108-5 | ○ Valve Plug | 1 | #50 | 944-002-0 | Support Ring (2.6×4.5×1) | 1 | #92 | 990-916-0 | O-Ring (SNS-18) | 3 |
| # 7 | 147-091-2 | ○ Air Inlet Bushing | 1 | #51 | 944-212-0 | Support Ring (12×16×1.5) | 1 | #93 | 990-305-0 | O-Ring (ARP568-003KS) | 1 |
| # 8 | 147-780-3 | ○ Exhaust Stack | 1 | #52 | 944-217-0 | Support Ring (14×20×1.8) | 2 | #94 | 992-020-0 | SU-Ring (Q12) NTN | 1 |
| # 9 | 147-042-2 | ○ Silencer | 1 | #53 | 952-106-0 | ○ Allen Head Dog Point Screw (M4×6) | 1 | #95 | 979-405-0 | ○ Outer Snap Ring (E2.5) | 1 |
| #10 | 147-835-3 | ○ Filter (K200) | 1 | #54 | 966-099-0 | Allen Head Plug (NPT1/16) GDL | 1 | Parts for ULT50D | | | |
| #11 | 147-100-3 | ○ Valve | 1 | #55 | 970-013-0 | Pin (H) (1.5×4) | 1 | #106 | 145-350-2 | Driver Anvil | 1 |
| #12 | 142-104-6 | ○ Valve Rod | 1 | #56 | 970-130-0 | Pin (H) (2.45×4.5) | 2 | #107 | 011-351-1 | Bit Sleeve (1/8) | 1 |
| #13 | 147-107-2 | ○ Valve Lever | 1 | #57 | 970-131-0 | Pin (H) (2.45×9.5) | 2 | #108 | 011-352-1 | Bit Spacer | 1 |
| #14 | 147-210-2 | ○ Reverse Valve | 1 | #58 | 971-102-0 | Pin (2×3.8) | 1 | #109 | 145-924-2 | Name Plate (ULT50D) | 1 |
| #15 | 147-211-2 | ○ Reverse Valve Bushing | 1 | #59 | 971-123-0 | ○ Pin (2×23) | 1 | #110 | 976-327-0 | Spring (13.5×11×0.9) | 1 |
| #16 | 480-212-8 | ○ Reverse Lever | 1 | #60 | 973-008-0 | Roll Pin (2×8) | 2 | #111 | 978-117-0 | Snap Ring (11.7×1) | 1 |
| #17 | 145-291-7 | ○ Rear Plate Spacer | 1 | #61 | 973-014-0 | ○ Roll Pin (2×14) | 1 | #112 | 981-002-0 | Ball (1/8) | 1 |
| #18 | 145-285-6 | ○ Rear Plate | 1 | #62 | 973-040-0 | Roll Pin (1.5×5) | 2 | Parts for ULT50L | | | |
| #19 | 145-286-0 | ○ Cylinder | 1 | #63 | 975-752-0 | Adjusting Spacer (15×10×t) | 1 | #114 | 145-253-3 | Shut-off Valve Bushing | 1 |
| #20 | 145-287-0 | ○ Rotor | 1 | #64 | 976-006-0 | ○ Spring (3×5×0.4) | 1 | #115 | 145-924-3 | Name Plate | 1 |
| #21 | 145-288-0 | ○ Blade (PC) | 9 | #65 | 976-457-0 | ○ Spring (7×12×0.9) | 1 | Parts for ULT50DL | | | |
| #22 | 145-289-6 | ○ Front Plate | 1 | #66 | 976-791-0 | Spring (3.3×21×0.4) WPC | 2 | #114 | 145-253-3 | Shut-off Valve Bushing | 1 |
| #23 | 147-036-2 | ○ Hammer Casing Connector | 1 | #67 | 977-043-0 | Cone Spring (4.1×4.7×9) (0.45) | 1 | #119 | 145-924-4 | Name Plate | 1 |
| #24 | 145-439-0 | ○ Front Casing | 1 | #68 | 976-650-0 | Spring (3.3×16×0.45) [Standard] | 1 | PARTS FOR (TM)-TYPE | | | |
| #25 | 190-328-6 | ○ Anvil Bushing | 1 | #70 | 976-662-0 | Spring (3.3×18×0.45) Yellow [Strong] | 1 | #123 | 852-501-1 | Handle | 1 |
| #26 | 145-901-0 | ○ Rear Liner Plate | 1 | #71 | 976-632-0 | Spring (2.8×7.7)(0.4) | 1 | #124 | 851-954-1 | Medeium Valve Sheet | 1 |
| #27 | 145-902-0 | ○ Liner | 1 | #72 | 976-674-0 | Spring (4.3×14×0.55) | 1 | #126 | 851-955-1 | Connecting Screw | 1 |
| #28 | 145-546-6 | ○ Piston | 1 | #73 | 976-653-0 | Spring (2.4×5×0.26) | 1 | #127 | 909-442-0 | Quick Exhaust (AQ240F-04-00) | 1 |
| #29 | 145-929-6 | ○ Check Valve Cover | 1 | #74 | 981-001-0 | Ball (3/32) | 1 | #128 | 933-281-0 | One-Touch Connector (KJH04-M5) | 1 |
| #30 | 145-130-0 | ○ Operating Rod (2.1×50.9) | 1 | #75 | 981-002-0 | ○ Ball (1/8) | 1 | #129 | 935-240-0 | Nylon Tube (18NY) | 1 |
| #31 | 891-554-1 | ○ Anvil Assembly (P) | 1 | #76 | 981-003-0 | Ball (5/32) | 1 | #130 | 935-350-0 | Polyurethane Hose (F-1504) | 1 |
| #31-1 | 145-319-0 | ○ Anvil (O) | 1 | #77 | 981-045-0 | Ball (1.5) | 10 | #131 | 935-358-0 | Polyurethane Hose (TU-0212) | 1 |
| #31-2 | 891-300-1 | ○ Socket Pin Assembly | 1 | #78 | 144-270-0 | Plug | 1 | #132 | 990-903-0 | O-Ring (SNS-5) | 1 |
| #32 | 145-440-0 | ○ Driving Blade | 2 | #79 | 982-014-0 | Ball Bearing (607) | 1 | ACCESSORIES | | | |
| #33 | 145-974-0 | ○ Roller (2.5×21) | 2 | #80 | 982-902-0 | Ball Bearing (6901) | 1 | #96 | 939-091-0 | Allen Wrench (1.5×80×20) | 1 |
| #34 | 145-973-6 | ○ Liner Casing Spacer | 1 | #81 | 990-320-0 | O-Ring (ARP568-003) | 1 | #97 | 939-105-0 | Allen Wrench (4) | 1 |
| #35 | 145-904-6 | ○ Front Liner Plate | 1 | #82 | 990-306-0 | ○ O-Ring (APR568-004H) | 1 | #99 | 940-114-0 | Air Hose Nipple (NPT1/4×3/8) | 1 |
| #36 | 145-905-0 | ○ Liner Casing | 1 | #83 | 990-327-0 | O-Ring (JW1530-18) | 1 | #138 | 909-449-0 | Speed Controller (AS1001F-04) | 1 |
| #37 | 145-906-6 | ○ Liner Casing Cover | 1 | #84 | 990-329-0 | O-Ring (JW1530-19) | 1 | | | | |
| #38 | 145-907-6 | ○ Relief Valve Spindle | 1 | #85 | 990-337-0 | O-Ring (JW1530-27) | 2 | | | | |
| #39 | 144-970-0 | ○ Relief Valve | 1 | #86 | 990-605-0 | O-Ring (25×1.45) | 1 | | | | |
| #40 | 145-972-6 | ○ Accumulator | 1 | | | | | | | | |
| #41 | 145-908-7 | ○ Accumulator Cover | 1 | | | | | | | | |
| #42 | 194-742-0 | ○ Oil Plug | 1 | | | | | | | | |
| #43 | 145-327-6 | ○ Anvil Front Spacer | 1 | | | | | | | | |
| #44 | 150-064-5 | ○ Plug | 1 | | | | | | | | |

When ordering spare parts, please specify tool type, code number and part name.

Printed Japan



URYU SEISAKU, LTD. Osaka Japan

For further information, please contact at any time your nearest URYU distributor.

OKA-481-08-07-07-1005