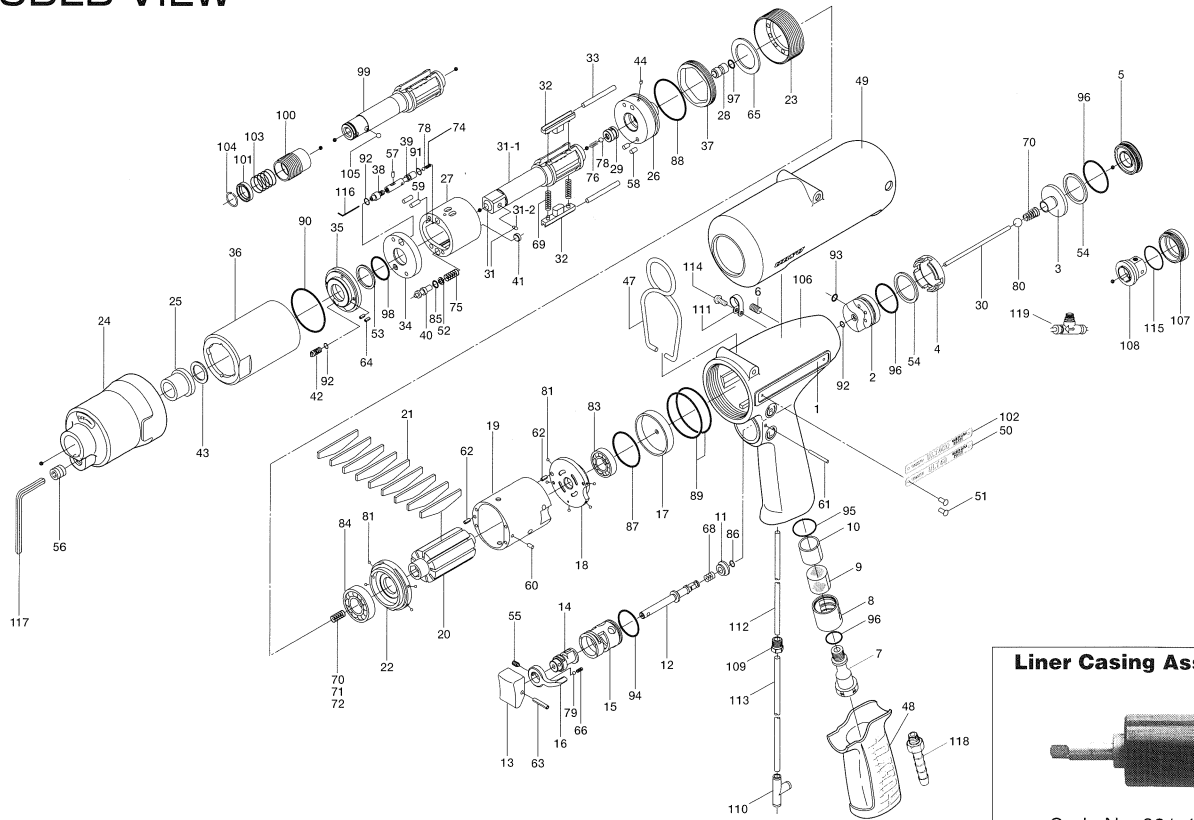


ULT40 SERIES OIL-PULSE WRENCHES

EXPLODED VIEW



Liner Casing Assembly

Code No. 891-461-1

PARTS LIST

Index No.	Code No.	Parts Name	Quantity	Index No.	Code No.	Parts Name	Quantity	Index No.	Code No.	Parts Name	Quantity
# 1	145-025-0	Handle	1	# 40	145-972-6	Accumulator	1	# 85	990-320-0	O-Ring (ARP568-003)	1
# 2	145-253-0	Shut-off Valve Bushing	1	# 41	145-908-7	Accumulator Cover	1	# 86	990-306-0	O-Ring (APR568-004H)	1
# 3	145-254-6	Shut-off Valve	1	# 42	194-742-0	Oil Plug	1	# 87	990-327-0	O-Ring (JW1530-18)	1
# 4	145-684-6	Cushion Spacer	1	# 43	145-327-6	Anvil Front Spacer	1	# 88	990-329-0	O-Ring (JW1530-19)	1
# 5	145-019-6	Valve Cover	1	# 44	150-064-5	Plug	1	# 89	990-337-0	O-Ring (JW1530-27)	2
# 6	150-108-5	Valve Plug	1	# 47	174-790-0	Suspension Ring	1	# 90	990-605-0	O-Ring (25x1.45)	1
# 7	147-091-2	Air Inlet Bushing	1	# 48	147-842-2	Handle Cover	1	# 91	990-621-0	O-Ring (3.8x1.8x1.0)	1
# 8	147-780-3	Exhaust Stack	1	# 49	145-840-7	Casing Cover	1	# 92	990-900-0	O-Ring (SNS-2)	3
# 9	147-042-2	Silencer	1	# 50	148-924-0	Name Plate	1	# 93	990-901-0	O-Ring (SNS-3)	1
# 10	147-835-3	Filter (K200)	1	# 51	930-205-0	Pin (No.0x2.6)	2	# 94	990-912-0	O-Ring (SNS-14)	1
# 11	147-100-2	Valve	1	# 52	944-002-0	Support Ring (2.6x4.5x1)	1	# 95	990-914-0	O-Ring (SNS-16)	1
# 12	142-104-6	Valve Rod	1	# 53	944-212-0	Support Ring (12x16x1.5)	1	# 96	990-916-0	O-Ring (SNS-18)	3
# 13	147-107-2	Valve Lever	1	# 54	944-217-0	Support Ring (14x20x1.8)	2	# 97	990-305-0	O-Ring (ARP568-003KS)	1
# 14	147-210-2	Reverse Valve	1	# 55	952-106-0	Allen Head Dog Point Screw (M4x6)	1	# 98	992-020-0	SU-Ring (Q12) NTN	1
# 15	147-211-2	Reverse Valve Bushing	1	# 56	966-099-0	Allen Head Plug (NPT1/16) GDL	1	Parts for ULT40D			
# 16	480-212-8	Reverse Lever	1	# 57	970-013-0	Pin (H) (1.5x4)	1	#101	011-352-1	Bit Spacer	1
# 17	145-291-7	Rear Plate Spacer	1	# 58	970-130-0	Pin (H) (2.45x4.5)	2	#102	147-924-0	Name Plate (ULT40D)	1
# 18	145-285-6	Rear Plate	1	# 59	970-131-0	Pin (H) (2.45x9.5)	1	#103	976-327-0	Spring (13.5x11x0.9)	1
# 19	147-286-0	Cylinder	1	# 60	971-102-0	Pin (2x3.8)	1	#104	978-117-0	Snap Ring (11.7x1)	1
# 20	145-287-0	Rotor	1	# 61	971-123-0	Pin (2x23)	1	#105	981-002-0	Ball (1/8)	1
# 21	145-288-0	Blade (PC)	9	# 62	973-008-0	Roll Pin (2x8)	2	PARTS FOR (TM)-TYPE			
# 22	145-289-6	Front Plate	1	# 63	973-014-0	Roll Pin (2x14)	1	# 99	145-350-2	Driver Anvil	1
# 23	147-036-2	Hammer Casing Connector	1	# 64	973-040-0	Roll Pin (1.5x5)	2	#100	011-351-1	Bit Sleeve (1/8)	1
# 24	145-439-0	Front Casing	1	# 65	975-752-0	Adjusting Spacer (15x10xt)	1	#106	851-030-1	Handle	1
# 25	190-328-6	Anvil Bushing	1	# 66	976-006-0	Spring (3x5x0.4)	1	#107	851-017-1	Valve Cover	1
# 26	145-901-0	Rear Liner Plate	1	# 68	976-457-0	Spring (7x12x0.9)	1	#108	851-050-1	Valve Spacer	1
# 27	145-902-0	Liner	1	# 69	976-791-0	Spring (3.3x21x0.4) WPC	2	#109	850-610-1	Connecting Screw	1
# 28	145-546-6	Piston	1	# 70	977-041-0	Cone Spring (3.9x4.5x9x0.35)	1	#110	909-442-0	Quick Exhaust (AQ240F-04-00)	1
# 29	145-929-6	Check Valve Cover	1	# 71	976-650-0	Spring (3.3x16x0.45) [Standard]	1	#111	929-050-0	Coupling (φ 3)	1
# 30	145-130-0	Operating Rod (2.1x51.2)	1	# 72	976-661-0	Spring (3.3x17x0.4) Black [Weak]	1	#112	935-240-0	Nylon Tube (18NY)	1
# 31	891-554-1	Anvil Assembly (P)	1	# 73	976-684-0	Spring (3.3x17x0.35) [Weaker]	1	#113	935-350-0	Polyurethane Hose (F-1504)	1
# 31-1	145-319-0	Anvil (O)	1	# 74	976-685-0	Spring (2.8x7x0.35)	1	#114	957-006-0	Cross Pan Head Screw (M3x6)	1
# 31-2	891-300-1	Socket Pin Assembly	1	# 75	976-674-0	Spring (4.3x14x0.55)	1	#115	990-916-0	O-Ring (SNS-18)	1
# 32	145-440-0	Driving Blade	2	# 76	976-651-0	Spring (2.4x5x0.23)	1	ACCESSORIES			
# 33	145-974-0	Roller (2.5x21)	2	# 78	981-001-0	Ball (3/32)	1	#116	939-091-0	Allen Wrench (1.5x80x20)	1
# 34	145-973-6	Liner Casing Spacer	1	# 79	981-002-0	Ball (1/8)	1	#117	939-105-0	Allen Wrench (4)	1
# 35	145-904-6	Front Liner Plate	1	# 80	981-003-0	Ball (5/32)	1	#118	940-114-0	Air Hose Nipple (NPT1/4x3/8)	1
# 36	145-905-0	Liner Casing	1	# 81	981-045-0	Ball (1.5)	1	#119	909-449-0	Speed Controller (AS1001F-04)	1
# 37	145-906-6	Liner Casing Cover	1	# 82	981-150-0	Ball (3)	1				
# 38	145-907-6	Relief Valve Spindle	1	# 83	982-014-0	Ball Bearing (607)	1				
# 39	147-970-0	Relief Valve	1	# 84	982-902-0	Ball Bearing (6901)	1				

When ordering spare parts, please Specify tool type, code number and part name.

Printed Japan



URYU SEISAKU, LTD. Osaka Japan