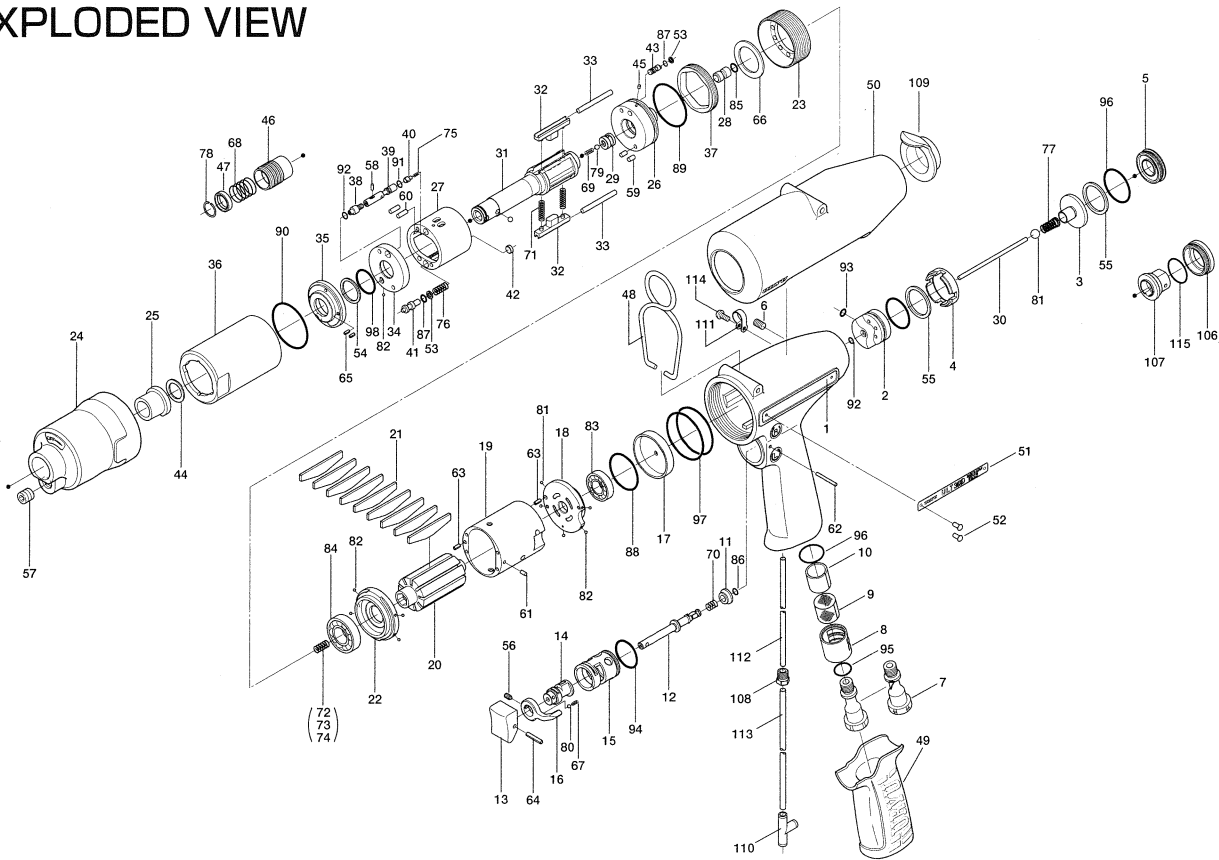


ULT30D SERIES OIL-PULSE WRENCHES

EXPLODED VIEW



PARTS LIST

Index No.	Code No.	Parts Name	Quantity	Index No.	Code No.	Parts Name	Quantity	Index No.	Code No.	Parts Name	Quantity
# 1	144-025-0	Handle	1	#42	145-908-7	Accumulator Cover	1	#80	981-002-0	Ball (1/8)	2
# 2	145-253-0	Shut-Off Valve Bushing	1	#43	178-742-0	Oil Plug	1	#81	981-003-0	Ball (5/32)	1
# 3	145-254-6	Shut-Off Valve	1	#44	145-327-6	Anvil Front Spacer	1	#82	981-045-0	Ball (1.5)	10
# 4	145-684-6	Bumper Spacer	1	#45	150-064-5	Plug	1	#83	982-014-0	Ball Bearing (607)	1
# 5	145-019-6	Valve Cover	1	#46	011-351-1	Bit Sleeve (1/8)	1	#84	982-901-0	Ball Bearing (6900)	1
# 6	150-108-5	Valve Plug	1	#47	011-352-1	Bit Spacer	1	#85	990-305-0	O-Ring (ARP568-003) (KS)	1
# 7	147-091-2	Air Inlet Bushing	1	#48	174-790-0	Suspension Ring	1	#86	990-306-0	O-Ring (ARP-568-004) (H)	1
# 8	147-780-3	Exhaust Stack	1	#49	147-842-2	Handle Cover	1	#87	990-320-0	O-Ring (ARP568-003)	2
# 9	147-042-2	Silencer	1	#50	145-840-7	Casing Cover	1	#88	990-327-0	O-Ring (JW1530-18)	1
#10	147-835-3	Filter (K200)	1	#51	144-924-0	Name Plate	1	#89	990-329-0	O-Ring (JW1530-19)	1
#11	147-100-2	Valve	1	#52	930-205-0	Pin (No.0×2.6)	2	#90	990-605-0	O-Ring (25×1.45)	1
#12	142-104-6	Valve Rod	1	#53	944-002-0	Supporting Ring (2.6×4.5×1)	2	#91	990-621-0	O-Ring (3.8×1.8×1.0)	1
#13	147-107-2	Valve Lever	1	#54	944-212-0	Supporting Ring (12×16×1.5)	1	#92	990-900-0	O-Ring (SNS-2)	2
#14	147-210-2	Reverse Valve	1	#55	944-217-0	Supporting Ring (14×20×1.8)	2	#93	990-901-0	O-Ring (SNS-3)	1
#15	147-211-2	Reverse Valve Bushing	1	#56	952-106-0	Allen Head Dog Point Screw (M4×6)	1	#94	990-912-0	O-Ring (SNS-14)	1
#16	480-212-8	Reverse Lever	1	#57	966-099-0	Allen Head Plug (NPT1/16)GDL	1	#95	990-914-0	O-Ring (SNS-16)	1
#17	145-291-7	Rear Plate Spacer	1	#58	970-013-0	Pin (H) (1.5×4)	1	#96	990-916-0	O-Ring (SNS-18)	3
#18	144-285-0	Rear Plate	1	#59	970-130-0	Pin (H) (2.45×4.5)	1	#97	990-925-0	O-Ring (SNS-32)	2
#19	144-286-0	Cylinder	1	#60	970-131-0	Pin (H) (2.45×9.5)	2	#98	992-020-0	SU-Ring (Q12) (NTN)	1
#20	144-287-0	Rotor	1	#61	971-102-0	Pin (2×3.8)	1	Accessories			
#21	144-288-0	Blade (PC)	9	#62	971-123-0	Pin (2×23)	1	#99	916-810-0	(+) Double Bit (No.2×75)	1
#22	144-289-0	Front Plate	1	#63	973-008-0	Roll Pin (2×8)	2	#100	940-114-0	Air Hose Nipple (NPT 1/4×3/8)	1
#23	144-036-0	Hammer Casing Connector	1	#64	973-014-0	Roll Pin (2×14)	1	#101	939-091-0	Allen Wrench (1.5MM)	1
#24	144-439-0	Front Casing	1	#65	973-040-0	Roll Pin (1.5×5)	2	#102	939-105-0	Allen Wrench (4MM)	1
#25	190-328-6	Anvil Bushing	1	#66	975-765-0	Adjusting Spacer (15×9×t)	1	Parts for (TM)-TYPE			
#26	144-901-0	Rear Liner Plate	1	#67	976-006-0	Spring (3×5)	1	#104	851-063-1	Handle	1
#27	144-902-0	Liner	1	#68	976-327-0	Spring (13.5×11)	1	#105	851-017-1	Valve Plug	1
#28	145-546-6	Piston	1	#69	976-651-0	Spring (2.4×5) (0.23)	1	#106	851-050-1	Valve Spacer	1
#29	145-929-6	Check Valve Cover	1	#70	976-457-0	Spring (7×12) (0.9)	1	#108	850-610-1	Connecting Screw	1
#30	145-130-0	Operating Rod (2.1×50.9)	1	#71	976-782-0	Spring (3.3×16) (0.4)WPC	2	#109	851-060-1	Cap	1
#31	144-350-0	Driver Anvil	1	#72	976-650-0	Spring (3.3×16) (0.45)	1	#110	909-442-0	Quick Exhaust (AQ240F-04-00)	1
#32	144-440-0	Driving Blade	2	#73	976-688-0	Spring (3.3×17.5) (0.4)[Weak]	1	#111	929-050-0	Coupling	1
#33	145-974-0	Roller (2.5×21)	2	#74	976-661-0	Spring (Black) (3.3×17) (0.4)	1	#112	935-240-0	Nylon Tube (18NY)	1
#34	144-973-0	Liner Casing Spacer	1	#75	976-704-0	Spring (2.7×6.6) (0.35)	1	#113	935-350-0	Polyurethane Hose (F1504)	1
#35	144-904-0	Front Liner Plate	1	#76	976-674-0	Spring (4.3×14) (0.55)	1	#114	957-006-0	Cross Pan Head Screw (M3X6)	1
#36	144-905-0	Liner Casing	1	#77	977-043-0	Cone Spring (4.1×4.7×9) (0.45)	1	#115	990-916-0	O-Ring (SNS-18)	1
#37	144-906-0	Liner Casing Cover	1	#78	978-117-0	Snap Ring (11.7×1.0)	1	#116	909-449-0	Speed Controller (AS1001F-04)	1
#38	145-907-6	Relief Valve Spindle	1	#79	981-001-0	Ball (3/32)	1				
#39	144-970-0	Relief Valve	1								
#40	144-270-0	Valve	1								
#41	145-972-6	Accumulator	1								

When ordering spare parts, please Specify tool type, code number and part name.

Printed Japan



URYU SEISAKU, LTD. Osaka Japan

For further information, please contact at any time your nearest URYU distributor.

OKA-487-03-08-01-2001