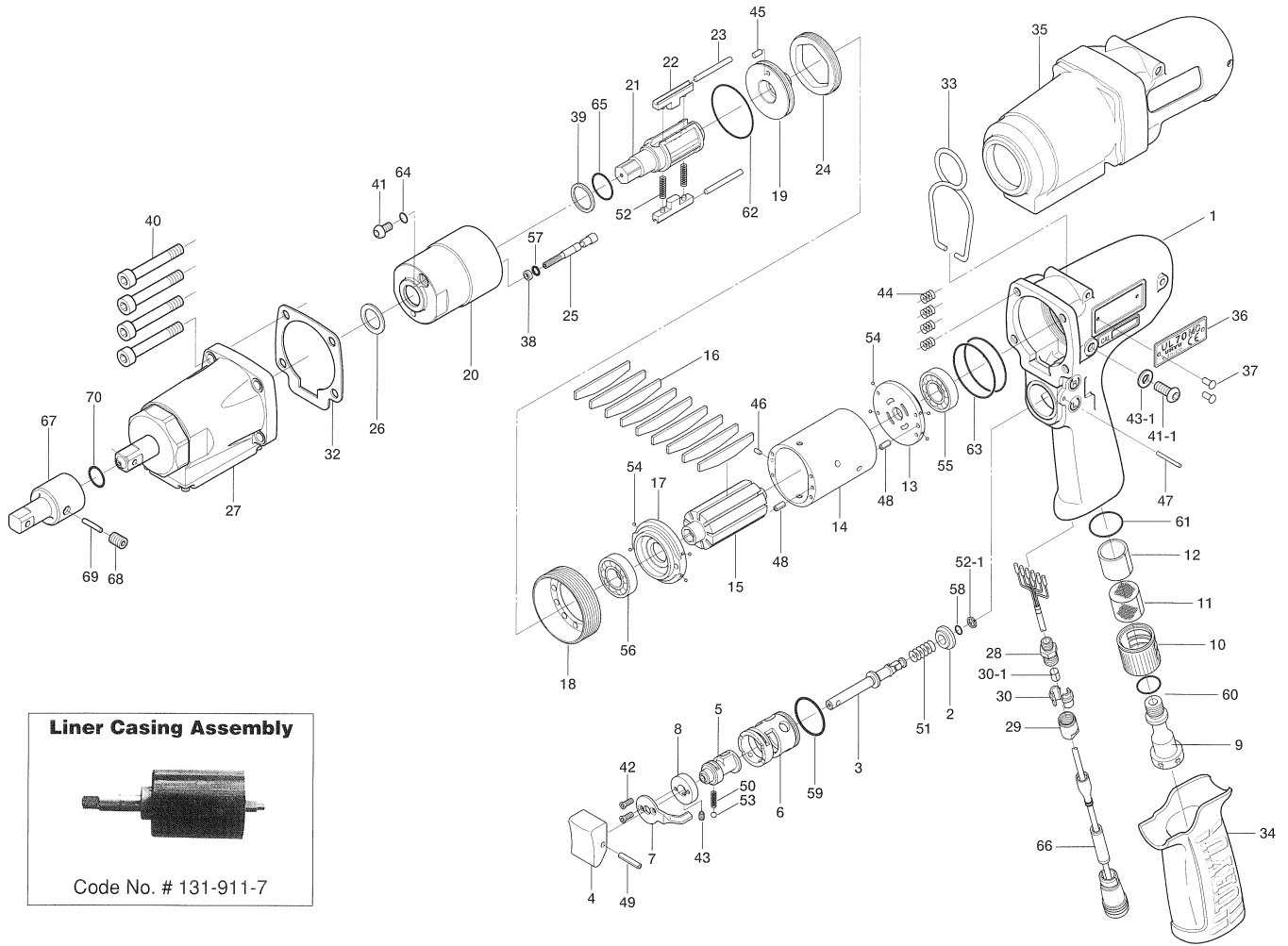
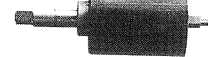


# UL70MC OIL-PULSE WRENCH

## EXPLODED VIEW



**Liner Casing Assembly**



Code No. # 131-911-7

## PARTS LIST

Index No.	Code No.	Parts Name	Quantity	Index No.	Code No.	Parts Name	Quantity	Index No.	Code No.	Parts Name	Quantity
# 1	131-025-7	Handle	1	#29	851-302-1	Cap	1	#52	976-788-0	Spring (3.5×25)(0.45)WPC	2
# 2	147-100-3	Valve	1	#30	851-303-1	Stopper	2	#52-1	979-405-0	Outer Snap Ring (E2.5)	1
# 3	147-104-2	Valve Rod	1	#30-1	131-395-8	Outer Ring	1	#53	981-002-0	Ball (1/8)	1
# 4	147-107-2	Valve Lever	1	#32	131-867-7	Front Casing Packing	1	#54	981-045-0	Ball (1.5)	8
# 5	851-306-1	Reverse Valve	1	#33	174-790-0	Suspension Ring	1	#55	982-014-0	Ball Bearing (607)	1
# 6	851-359-1	Reverse Valve Bushing	1	#34	147-842-2	Handle Cover	1	#56	982-902-0	Ball Bearing (6901)	1
# 7	173-212-0	Reverse Lever	1	#35	131-840-7	Body Jacket	1	#57	990-320-0	O-Ring (ARP568-003)	1
# 8	851-307-1	Reverse Valve Spacer	1	#36	131-924-7	Metal Tag	1	#58	990-306-0	O-Ring (ARP-568-004)(H)	1
# 9	147-091-2	Air Inlet Bushing	1	#37	930-205-0	Driver Rivet No0x2.6	2	#59	990-912-0	O-Ring (SNS-14)	1
#10	147-780-3	Exhaust Stack	1	#38	944-001-0	Supporting Ring (2.1×4×1)	1	#60	990-914-0	O-Ring (SNS-16)	1
#11	147-042-2	Silencer	1	#39	944-212-0	Supporting Ring (12×16×1.5)	1	#61	990-916-0	O-Ring (SNS-18)	1
#12	147-835-3	Filter (K200)	1	#40	945-117-0	Allen Head Bolt (M5×16)	4	#62	990-917-0	O-Ring (SNS-24)	1
#13	143-285-8	Rear Plate	1	#41	945-942-0	Hexagon Round Head Bolt (M4×6)	1	#63	990-929-0	O-Ring (SNS-36)	2
#14	143-286-8	Cylinder	1	#41-1	945-949-0	Hexagon Round Head Bolt (M5×6)	1	#64	990-971-0	O-Ring (SNS-3)	1
#15	143-287-8	Rotor	1	#42	948-423-0	Allen Flush Head Screw (M3×6)	1	#65	992-020-0	SU-Ring(Q12)(NTN)	1
#16	147-288-6	Blade (PC)	9	#43	952-006-0	Allen Head Dog Point Screw (M3×6)	1	#66	910-258-0	Joint Cable Assembly	1
#17	143-289-8	Front Plate	1	#43-1	961-012-0	Flat Washer (5MM)	1	#67	904-090-0	Extension Bar (3/8×45) (MC)	1
#18	143-036-8	Hammer Casing Connector	1	#44	965-011-0	Heli-Sert (M5×1.5D)	4	#68	953-104-0	Allen Head Flat Point Screw (M4×4)	1
#19	143-901-8	Rear Liner Plate	1	#45	970-147-0	Pin (H) (2.5×5)	1	#69	971-214-0	Pin (3×14)	1
#20	851-392-1	Liner	1	#46	971-102-0	Pin (2×3.8)	1	#70	990-011-0	O-Ring (P12)	1
#21	851-308-1	Anvil	1	#47	971-130-0	Pin (2×30)	1	<b>ACCESSORIES</b>			
#22	147-440-6	Driving Blade	2	#48	973-008-0	Roll Pin (2×8)	2	#81	910-263-0	Sensor Cable Assembly (3F5)	1
#23	147-974-6	Roller Pin (2.5×28)	2	#49	973-014-0	Roll Pin (2×14)	1	#82	909-749-0	Solenoid Valve Assembly	1
#24	143-906-8	Liner Casing Cover	1	#50	976-006-0	Spring (3×5)	1				
#25	143-970-8	Relief Valve	1	#51	976-457-0	Spring (7×12)(0.9)	1				
#26	178-327-9	Anvil Front Spacer	1								
#27	851-691-1	Sensor Casing Assembly (S06S)	1								
#28	851-301-1	Connector	1								

When ordering spare parts, please specify tool type, code number and parts name.

Printed in Japan



**URYU SEISAKU, LTD.** Osaka, Japan

For further information, please contact at any time your nearest URYU distributor.

OKA-515-07-09-07-501