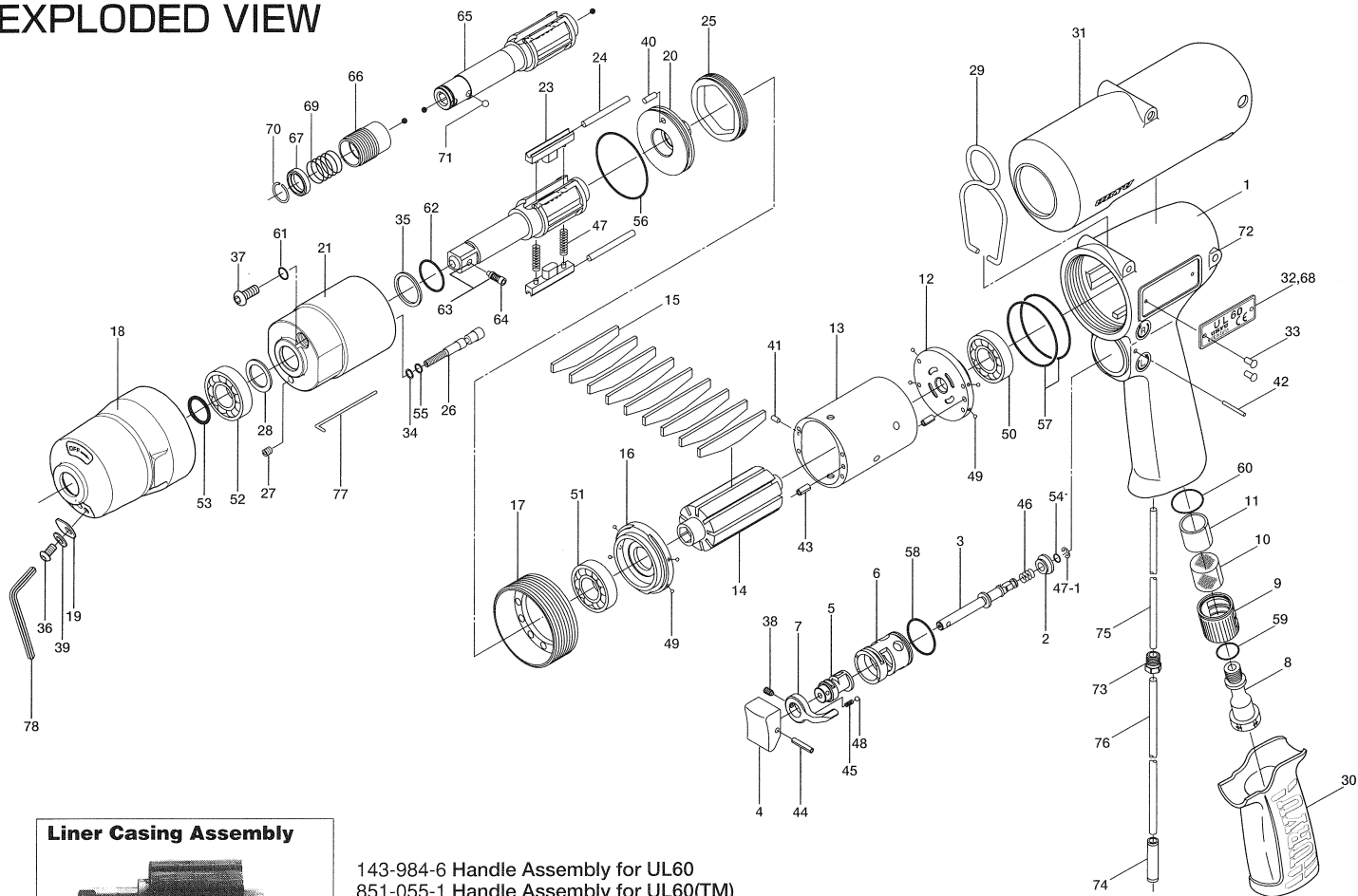
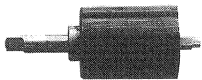


UL60 SERIES OIL-PULSE WRENCHES

EXPLODED VIEW



Liner Casing Assembly



Code No. 891-474-1 for UL60
Code No. 143-911-7 for UL60D

143-984-6 Handle Assembly for UL60
851-055-1 Handle Assembly for UL60(TM)
Components

(#1 (for UL60) or #72 (for UL60 (TM)),
#2, #3, #4, #5, #6, #7, #8, #38, #42,
#44, #45, #46, #48, #54, #58

PARTS LIST

Index No.	Code No.	Parts Name	Quantity	Index No.	Code No.	Parts Name	Quantity	Index No.	Code No.	Parts Name	Quantity
# 1	143-025-7	○ Handle	1	#32	143-924-6	Metal Tag	1	#57	990-337-0	O-Ring (JW1530-27)	2
# 2	147-100-3	○ Valve	1	#33	930-205-0	Driver Rivet No.0×2.6	2	#58	990-912-0	○ O-Ring (SNS-14)	1
# 3	147-104-2	○ Valve Rod	1	#34	944-002-0	Supporting Ring (2.6×4.5×1)	1	#59	990-914-0	○ O-Ring (SNS-16)	1
# 4	147-107-2	○ Valve Lever	1	#35	944-212-0	Supporting Ring (12×16×1.5)	1	#60	990-916-0	○ O-Ring (SNS-18)	1
# 5	147-210-2	○ Reverse Valve	1	#36	945-935-0	Hexagon Round Head Bolt (M3×6)	1	#61	990-971-0	○ O-Ring (SNS-3) (NOK)	1
# 6	147-211-2	○ Reverse Valve Bushing	1	#37	945-942-0	Hexagon Round Head Bolt (M4×6)	1	#62	992-020-0	SU-Ring (Q12) (NTN)	1
# 7	480-212-8	○ Reverse Lever	1	#38	952-106-0	○ Allen Head Dog Point Screw (M4×6)	1	#63	891-561-1	Anvil (P)	1
# 8	147-091-2	○ Air Inlet Bushing	1	#39	961-008-0	Flat Washer (3mm)	1	#64	891-300-1	Socket Pin Assembly (3/8)	1
# 9	147-780-3	Exhaust Stack	1	#40	970-148-0	Pin (H) (2.5×3.8)	1	Parts for UL60D			
#10	147-042-2	Silencer	1	#41	971-102-0	Pin (2×3.8)	1	#65	143-350-7	Driver Anvil	1
#11	147-835-3	Filter (K200)	1	#42	971-123-0	○ Pin (2×23)	1	#66	011-351-1	Bit Sleeve (1/8)	1
#12	147-285-2	Rear Plate	1	#43	973-008-0	Roll Pin (2×8)	2	#67	011-352-1	Bit Spacer	1
#13	147-286-2	Cylinder	1	#44	973-014-0	○ Roll Pin (2×14)	1	#68	143-924-7	Metal Tag	1
#14	147-287-3	Rotor	1	#45	976-006-0	○ Spring (3×5)(0.4)	1	#69	976-327-0	Spring (13.5×11) (0.9)	1
#15	147-288-2	Blade (PC)	9	#46	976-457-0	○ Spring (7×12) (0.9)	1	#70	978-117-0	Snap Ring (11.7×1.0)	1
#16	147-289-3	Front Plate	1	#47	976-788-0	Spring (3.5×25) (0.45)WPC	2	Parts for (TM)-TYPE			
#17	147-036-2	Hammer Casing Connector	1	#47-1	979-405-0	Outer Snap Ring (E2.5)	1	#72	851-091-1	Handle	1
#18	143-439-6	Front Casing	1	#48	981-002-0	○ Ball (1/8)	1	#73	850-610-1	Connecting Screw	1
#19	143-243-8	Regulator Valve Cover	1	#49	981-045-0	Ball (1.5)	8	#74	933-250-0	One-touch Connector (SLS-04)	1
#20	143-901-6	Rear Liner Plate	1	#50	982-014-0	Ball Bearing (607)	1	#75	935-240-0	Nylon Tube (13NY)	1
#21	143-902-6	Liner	1	#51	982-902-0	Ball Bearing (6901)	1	Accessories			
#23	143-440-6	Driving Blade	2	#52	982-922-0	Ball Bearing (6901ZZ)	1	#77	939-091-0	Allen Wrench (1.5)	1
#24	143-974-6	Roller (2.5×25)	1	#53	993-100-0	Rubber Sponge Ring (12×16.5×2)	1	#78	939-107-0	Allen Wrench (2)	1
#25	143-906-3	Liner Casing Cover	1	#54	990-306-0	○ O-Ring (ARP-568-004) (H)	1	#79	916-810-0	(+)Double Bit (No.2×75)	1
#26	143-970-6	Relief Valve	1	#55	990-320-0	○ O-Ring (ARP568-003)	1				
#27	136-969-7	Relief Valve Plate	1	#56	990-331-0	○ O-Ring (JW1530-21)	1				
#28	178-327-9	Anvil Front Spacer	1								
#29	174-790-0	Suspension Ring	1								
#30	147-842-2	Handle Cover	1								
#31	143-840-3	Handle Protector	1								

When ordering spare parts, please specify tool type, code number and parts name.

Printed in Japan



URYU SEISAKU, LTD. Osaka, Japan

For further information, please contact at any time your nearest URYU distributor.

OKA-485-08-07-07-1007