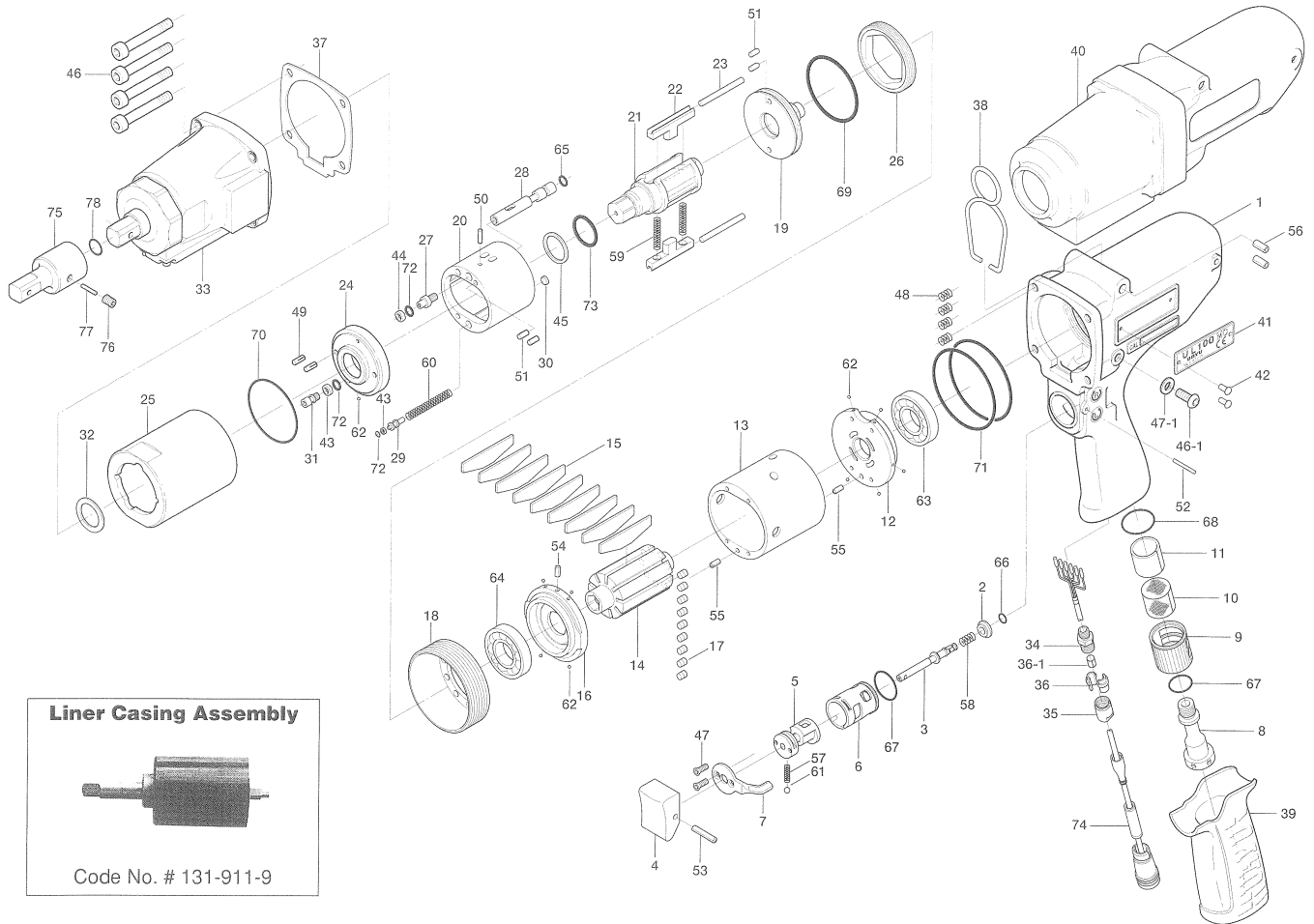
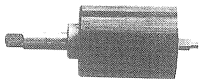


# UL100MC OIL-PULSE WRENCH

## EXPLODED VIEW



**Liner Casing Assembly**



Code No. # 131-911-9

## PARTS LIST

Index No.	Code No.	Parts Name	Quantity	Index No.	Code No.	Parts Name	Quantity	Index No.	Code No.	Parts Name	Quantity
# 1	131-025-9	Handle	1	#32	147-327-8	Anvil Front Spacer	1	#56	973-308-0	Roll Pin (5×8)	2
# 2	147-100-8	Valve	1	#33	851-692-1	Sensor Casing Assembly (S12S-UL)	1	#57	976-006-0	Spring (3×5)	1
# 3	147-104-8	Valve Rod	1	#35	851-302-1	Connector	1	#58	976-643-0	Spring (7.5×9.7)(0.9)	1
# 4	147-107-2	Valve Lever	1	#36	851-303-1	Stopper	2	#59	976-783-0	Spring 4.3×36(0.55)	2
# 5	147-210-8	Reverse Valve	1	#36-1	131-395-8	Outer Ring	1	#60	976-699-0	Spring 4.8×29.5(0.6)	1
# 6	147-211-8	Reverse Valve Bushing	1	#37	131-867-9	Front Casing Packing	1	#61	981-002-0	Ball (1/8)	1
# 7	147-212-8	Reverse Lever	1	#38	174-790-0	Suspension Ring	1	#62	981-045-0	Ball (1.5)	10
# 8	148-091-3	Air Inlet Bushing	1	#39	147-842-2	Handle Cover	1	#63	982-949-0	Ball Bearing (16001)	1
# 9	147-780-9	Exhaust Stack	1	#40	131-840-9	Body Jacket	1	#64	982-950-0	Ball Bearing (16002)	1
#10	147-042-8	Silencer	1	#41	131-924-9	Metal Tag	1	#65	990-320-0	O-Ring (ARP568-003)	1
#11	148-835-2	Filter (K50)	1	#42	930-205-0	Driver Rivet No. 0×2.6	2	#66	990-306-0	O-Ring (ARP-568-004)(H)	1
#12	148-285-2	Rear Plate	1	#43	944-003-0	Supporting Ring (3.0×5.0×1)	2	#67	990-914-0	O-Ring (SNS-16)	2
#13	851-391-1	Cylinder	1	#44	944-203-0	Back-up Ring (3.1×5×1)	1	#68	990-919-0	O-Ring (SNS-22)	1
#14	148-287-2	Rotor	1	#45	944-215-0	Supporting Ring (16×19.9×1.5)	1	#69	990-929-0	O-Ring (SNS-36)	1
#15	148-288-2	Blade (PC)	9	#46	945-117-0	Allen Head Bolt (M5×16)	4	#70	990-928-0	O-Ring (SNS-38)	1
#16	148-289-2	Front Plate	1	#46-1	945-949-0	Hexagon Round Head Bolt (M5×6)	1	#71	990-938-0	O-Ring (SNS-48)	1
#17	148-064-2	Plug	9	#47	948-423-0	Allen Flush Head Screw (M3×6)	2	#72	990-970-0	O-Ring (SNS-2)	2
#18	148-036-2	Hammer Casing Connector	1	#47-1	961-012-0	Flat Washer (5mm)	1	#73	992-021-0	SU-Ring (Q16)(NTN)	1
#19	851-312-1	Rear Liner Plate	1	#48	965-011-0	Heli-Sert (M5×1.5D)	4	#74	910-258-0	Joint Cable Assembly	1
#20	148-902-2	Liner	1	#49	969-450-0	Pin (G) (3×8)	2	#75	904-190-0	Extension Bar (1/2×60) (MC)	1
#21	851-313-1	Anvil	1	#50	970-091-0	Pin (H) (2×4.5)	4	#76	953-205-0	Allen Head Flat Point Screw (M5×5)	1
#22	148-440-2	Driving Blade	2	#51	970-205-0	Pin (H) (3×7)	1	#77	971-220-0	Pin (3×20)	1
#23	148-974-2	Roller Pin (3×35)	2	#52	971-125-0	Pin (2×25)	1	#78	990-016-0	O-Ring (P16)	1
#24	148-904-2	Front Liner Plate	1	#53	973-014-0	Roll Pin (2×14)	1	<b>ACCESSORIES</b>			
#25	148-905-2	Liner Casing	1	#54	973-006-0	Roll Pin (2×6)	1	#81	910-263-0	Sensor Cable Assembly (3F5)	1
#26	148-906-2	Liner Casing Cover	1	#55	973-068-0	Roll Pin (2.5×8)	2	#82	909-749-0	Solenoid Valve Assembly	1
#27	174-907-2	Relief Valve Spindle	1				<b>OPTIONAL ACCESSORIES</b>				
#28	148-970-2	Relief Valve	1				#91	910-633-0	Connector Cover	1	
#29	147-972-8	Accumulator	1								
#30	148-908-2	Accumulator Cover	1								
#31	194-742-3	Oil Plug	1								

When ordering spare parts, please specify tool type, code number and parts name.

Printed in Japan



**URYU SEISAKU, LTD.** Osaka, Japan

For further information, please contact at any time your nearest URYU distributor.

OKA-517-07-11-26-501