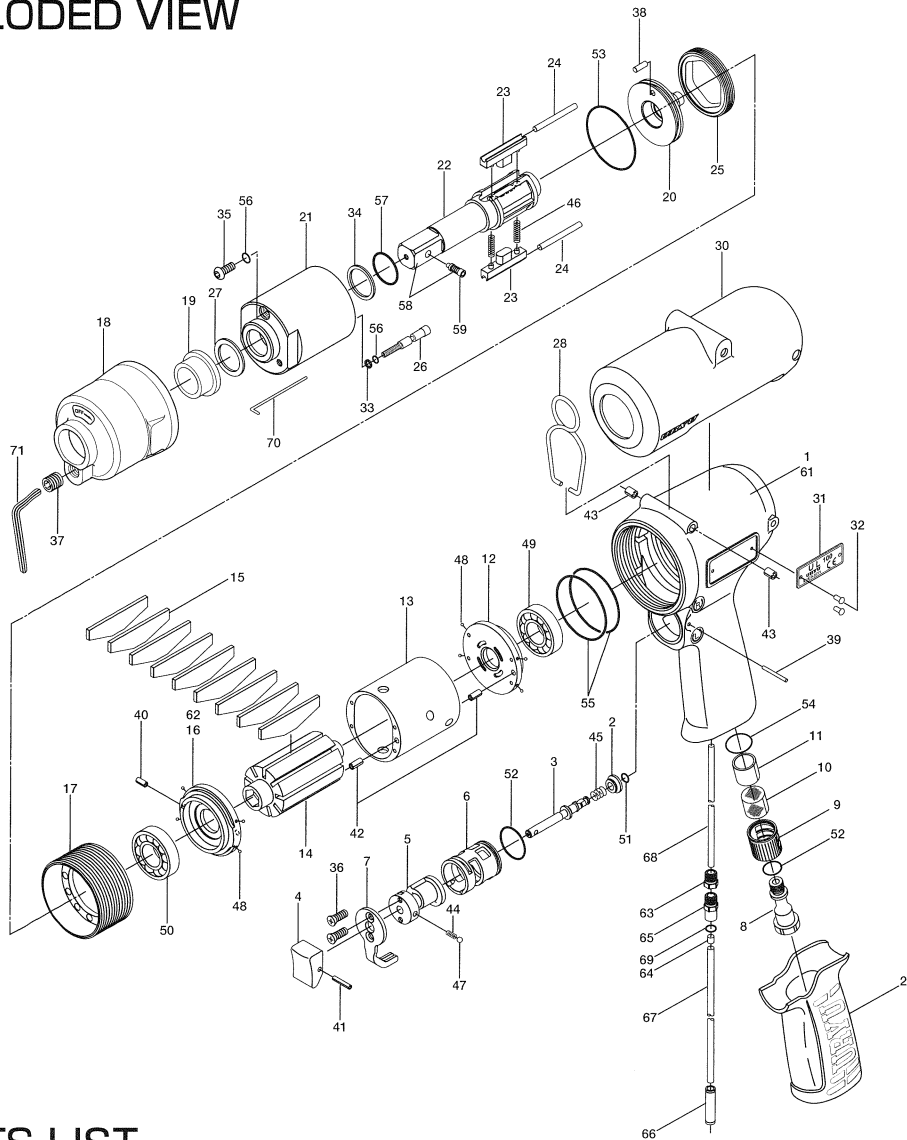
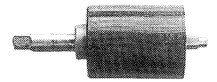


# UL100 OIL-PULSE WRENCH

## EXPLODED VIEW



### Liner Casing Assembly (P)



Code No. # 891-483-1

### 155-984-0 Handle Assembly

(#1, #2, #3, #4, #5, #6, #7, #8, #36, #39, #41, #43, #44, #45, #47, #51, #52,)

## PARTS LIST

Index No.	Code No.	Parts Name	Quantity	Index No.	Code No.	Parts Name	Quantity	Index No.	Code No.	Parts Name	Quantity
# 1	155-025-0	○ Handle	1	#28	174-790-0	Suspension Ring	1	#51	990-306-0	○ O-Ring (ARP-568-004) (H)	1
# 2	147-100-8	○ Valve	1	#29	147-842-2	Handle Cover	1	#52	990-914-0	○ O-Ring (SNS-16)	2
# 3	147-104-8	○ Valve Rod	1	#30	155-840-0	Casing Protector	1	#53	990-926-0	○ O-Ring (SNS-35)	1
# 4	147-107-2	○ Valve Lever	1	#31	155-924-0	Name Plate	1	#54	990-919-0	O-Ring (SNS-22)	1
# 5	147-210-8	○ Reverse Valve	1	#32	930-205-0	Driver Screw Rivet (No.0×2.6)	2	#55	990-938-0	O-Ring (SNS-48)	2
# 6	147-211-8	○ Reverse Valve Bushing	1	#33	944-003-0	Supporting Ring (3×5×1)	1	#56	990-971-0	O-Ring (SNS-3) (NOK)	2
# 7	147-212-8	○ Reverse Lever	1	#34	944-215-0	Supporting Ring (16×19.9×1.5)	1	#57	992-021-0	SU-Ring (Q16) (NTN)	1
# 8	148-091-3	○ Air Inlet Bushing	1	#35	945-942-0	Hexagon Round Head Bolt (M4×6)	1	#58	891-566-1	Anvil Assembly (P)	1
# 9	147-780-9	Exhaust Stack	1	#36	948-423-0	○ Allen Flush Head Screw (M3×6)	1	#59	891-304-1	Socket Pin Assembly (1/2)	1
#10	147-042-8	Silencer	1	#37	966-099-0	Allen Head Plug (NPT1/16GDL)	1	<b>PARTS FOR (TM)-TYPE</b>			
#11	148-835-2	Filter (K50)	1	#38	970-204-0	Pin (H) (3×6)	1	#61	852-527-1	Handle	1
#12	155-285-0	Rear Plate	1	#39	971-125-0	○ Pin (2×25)	1	#62	852-532-1	Front Plate	1
#13	155-286-0	Cylinder	1	#40	973-006-0	Roll Pin (2×6)	1	#63	851-955-1	Connecting Screw	1
#14	155-287-0	Rotor	1	#41	973-014-0	○ Roll Pin (2×14)	1	#64	851-954-1	Medium Valve Seat	1
#15	148-288-2	Blade (PC)	9	#42	973-068-0	Roll Pin (2.5×8)	2	#65	933-281-0	One-Touch Connector (KJH04-M5)	1
#16	148-289-2	Front Plate	1	#43	973-308-0	○ Roll Pin (5×8)	2	#66	933-250-0	One-Touch Connector (SLS-04)	1
#17	155-036-0	Hammer Casing Connector	1	#44	976-006-0	○ Spring (3×5) (0.4)	1	#67	935-350-0	Polyurethane Hose (F-1504)	1
#18	155-439-0	Front Casing	1	#45	976-643-0	○ Spring (7.5×9.7) (0.9)	1	#68	935-358-0	Polyurethane Hose (TU-0212)	1
#19	147-328-8	Anvil Bushing	1	#46	976-783-0	Spring (4.3×36) (0.55) WPC	2	#69	990-903-0	O-Ring (SNS-5)	1
#20	155-901-0	Rear Liner Plate	1	#47	981-002-0	○ Ball (1/8)	1	<b>ACCESSORIES</b>			
#21	155-902-0	Liner	1	#48	981-045-0	Ball (1.5mm)	8	#70	939-091-0	Allen Wrench (1.5)	1
#22	155-319-0	Anvil	1	#49	982-949-0	Ball Bearing (16001)	1	#71	939-105-0	Allen Wrench (4)	1
#23	148-440-2	Driving Blade	2	#50	982-950-0	Ball Bearing (16002)	1				
#24	155-974-0	Roller (3×35) (C)	2								
#25	148-906-2	Liner Casing Cover	1								
#26	155-970-0	Relief Valve	1								
#27	147-327-8	Anvil Front Spacer	1								

When ordering spare parts, please specify tool type, code number and parts name.

Printed in Japan



**URYU SEISAKU, LTD.** Osaka, Japan

For further information, please contact at any time your nearest URYU distributor.

OKA-514-08-07-07-1002