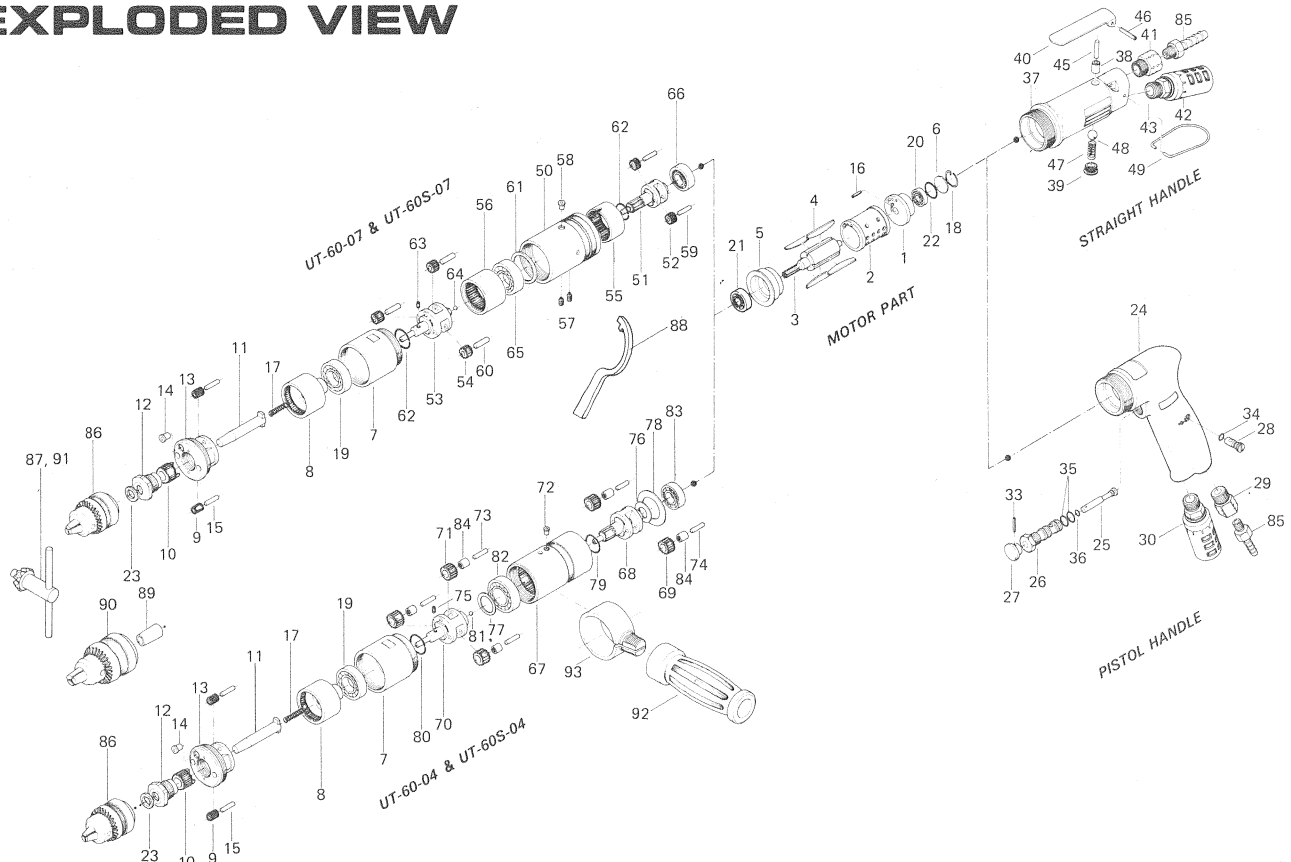


UT-60 & 60S SERIES, AIR TAPPERS

EXPLODED VIEW



PARTS LIST

Index No.	Code No.	Part Name	Quantity	Index No.	Code No.	Part Name	Quantity	Index No.	Code No.	Part Name	Quantity
UT-60 & 60S SERIES COMMON PARTS				#36	990-203-0	O-Ring (JW1516-3)	1	#65	982-103-0	Ball Bearing (6003)	1
# 1	600-285-2	Rear Plate	1	617-004-7 UT-60S SERIES HANDLE ASSEMBLY				#66	982-403-0	Ball Bearing (EE-4)	1
# 2	600-286-1	Cylinder	1	#37	617-025-7	Casing	1	PARTS FOR UT-60-04 & UT-60S-04			
# 3	612-287-0	Rotor	1	#38	553-103-1	Valve Rod Bushing	1	#67	612-029-9	Gear Casing	1
# 4	600-288-1	Blade	4	#39	201-108-1	Valve Plug	1	#68	612-480-0	Gear Cage	1
# 5	612-289-0	Front Plate	1	#40	500-107-1	Valve Lever	1	#69	612-470-0	First Planet Gear	2
# 6	600-291-1	Front Plate Spacer	1	#41	191-091-5	Air Inlet Bushing	1	#70	678-485-8	Second Gear Cage	1
# 7	678-031-5	Second Gear Casing	1	#42	027-885-6	Silencer Assy	1	#71	612-471-0	Second Planet Gear	3
# 8	673-467-1	Reverse Internal Gear	1	#43	970-321-0	Pin (H) (4x21)	1	#72	968-130-0	Grease Cup (3/16)	1
# 9	673-472-1	Reverse Planet Gear	1	#44	973-124-0	Roll Pin (3x24)	1	#73	970-316-0	Pin (H) (4x16)	3
#10	673-373-1	Reverse Clutch	1	#45	977-154-0	Cone Spring (7x7.5x17)	1	#74	970-317-0	Pin (H) (4x17)	2
#11	673-319-1	Anvil	1	#46	981-030-0	Ball (3/8)	1	#75	970-202-0	Pin (H) (3x4.5)	1
#12	673-328-1	Anvil Bushing	1	#47	010-790-1	Suspension Bail	1	#76	975-136-0	Spacer (22x13.7x0.6)	1
#13	673-070-1	Gear Casing Cover	1	PARTS FOR UT-60-07 & UT-60S-07				#77	975-172-0	Spacer (24x18x1)	1
#14	968-131-0	Grease Cup (1/4)	1	#50	612-029-6	Gear Casing	1	#78	975-294-0	Spacer (38x29x2)	1
#15	972-119-0	Needle Roller (4x18)	2	#51	612-480-6	Gear Cage	1	#79	978-202-0	Snap Ring (20x1)	1
#16	973-006-0	Roll Pin (2x6)	1	#52	612-470-1	First Planet Gear	2	#80	978-240-0	Snap Ring (24x1)	1
#17	976-054-0	Spring (4.5x28)	1	#53	678-485-6	Second Gear Cage	1	#81	981-003-0	Ball (5/32)	1
#18	978-231-0	Snap Ring (23x1.2)	1	#54	612-471-1	Second Planet Gear	3	#82	982-103-0	Ball Bearing (6003)	1
#19	982-103-0	Ball Bearing (6003)	1	#55	612-465-6	First Internal Gear	1	#83	982-403-0	Ball Bearing (EE-4)	1
#20	982-401-0	Ball Bearing (EE-2)	1	#56	612-466-6	Second Internal Gear	1	#84	988-450-0	Needle Roller Bearing (HK-0408)	5
#21	982-402-0	Ball Bearing (EE-3)	1	#57	952-204-0	Allen Head Dog Point Screw (M5x5-L)	2	STANDARD ACCESSORIES			
#22	990-914-0	O-Ring (SNS16)	1	#58	968-130-0	Grease Cup (3/16)	1	#85	940-114-0	Air Hose Nipple (NPT 1/4x3/8)	1
#23	993-002-0	Felt Ring (9.5x15x3)	1	#59	972-119-0	Needle Roller (4x18)	2	#86	923-052-0	Chuck (8 MM)	1
612-004-0 UT-60 SERIES HANDLE ASSEMBLY				#60	972-163-0	Needle Roller (5x18)	3	#87	927-051-0	Chuck Handle (6.5 MM)	1
#24	612-025-0	Casing	1	#61	975-269-0	Spacer (35x30x1)	1	#88	937-065-0	Spanner (4.8x22x153)	1
#25	603-100-2	Valve	1	#62	978-202-0	Snap Ring (20x1)	2	OPTIONAL ACCESSORIES			
#26	606-101-1	Valve Bushing	1	#63	970-202-0	Pin (H) (3x4.5)	1	#89	678-732-7	Taper Adapter	1
#27	603-107-2	Throttle Trigger	1	#64	981-003-0	Ball (5/32)	1	#90	923-053-0	Chuck (10 MM)	1
#28	023-240-1	Regulator Valve	1					#91	927-053-0	Chuck Handle (10 MM)	1
#29	191-091-5	Air Inlet Bushing	1					#92	613-720-0	Dead Handle	1
#30	027-885-6	Silencer Assy	1					#93	612-730-0	Dead Handle Connector	1
#33	973-010-0	Roll Pin (2x10)	1								
#34	990-003-0	O-Ring (P5)	1								
#35	990-610-0	O-Ring (8x2)	2								

When ordering spare parts, please specify tool type, code number and part name.

Printed in Japan



URYU SEISAKU, LTD. Osaka, Japan

OKA-151-01-10-19-2010