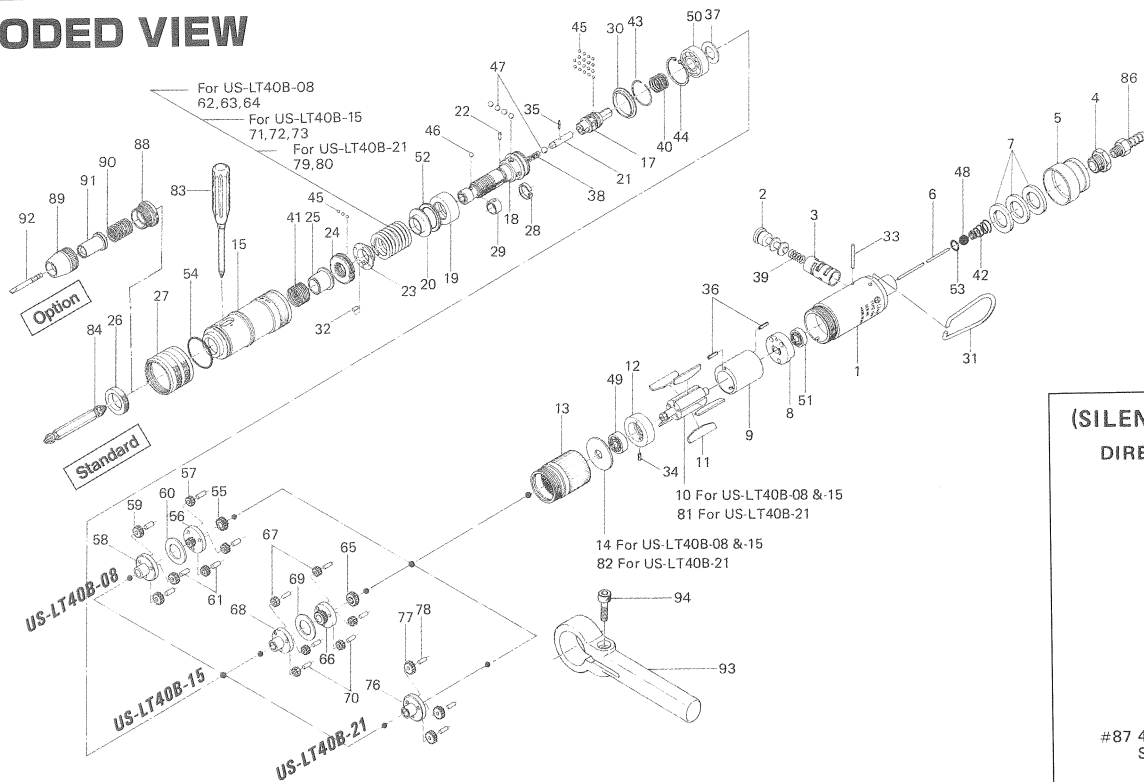


# US-LT40B SERIES SCREWDRIVERS

## EXPLODED VIEW



## PARTS LIST

Index No.	Code No.	Parts Name	Quantity	Index No.	Code No.	Parts Name	Quantity	Index No.	Code No.	Parts Name	Quantity
<b>US-LT40B series Common Parts</b>				#39	976-147-0	Spring (7×12)	1	#68	472-485-5	Second Gear Cage	1
# 1	472-025-7	Casing	1	#40	976-332-0	Spring (13.5×10)	1	#69	496-483-1	Gear Cage Spacer	1
# 2	893-057-1	Reverse Valve (Lock)	1	#41	976-450-0	Spring (18.5×10)	1	#70	972-089-0	Roller (3×8)	6
# 3	472-211-7	Reverse Valve Bushing	1	#42	977-157-0	Cone Spring (7×11×20)	1	#71	976-516-0	Spring (22.1×28) (Standard)	1
# 4	480-091-8	Air Inlet Bushing	1	#43	978-218-0	Snap Ring (22×1)	1	#72	976-515-0	Spring (22.7×28)	1
# 5	472-782-7	Exhaust Deflector	1	#44	979-326-0	Inner Snap Ring (IRTW-26)	1	#73	976-517-0	Spring (21.5×31) (Yellow)	1
# 6	472-104-7	Valve Rod	1	#45	981-001-0	Ball (3/32)	21			(Option : Strong)	
# 7	161-835-4	Filter(K50)	3	#46	981-002-0	Ball (1/8)	1	#10	472-287-7	Rotor	1
# 8	467-285-7	Rear Plate	1	#47	981-004-0	Ball (3/16)	5	#14	472-807-7	Spacer	1
# 9	472-286-7	Cylinder	1	#48	981-208-0	Ball (5/16) (Black)	1	<b>Parts for US-LT40B-21</b>			
#11	472-288-0	Blade (PC)	5	#49	982-063-0	Ball Bearing (606ZZ)	1	#76	472-480-3	Gear Cage	1
#12	472-289-7	Front Plate	1	#50	982-100-0	Ball Bearing (6000)	1	#77	472-470-3	Planet Gear	3
#13	472-029-7	Gear Casing	1	#51	987-039-0	Miniature Ball Bearing (R-1560 ZZ)	1	#78	972-089-0	Roller (3×8)	3
#15	472-369-7	Clutch Casing	1	#52	944-019-0	Back-up Ring (P-19)	1	#79	976-517-0	Spring (21.5×31) (Standard)	1
#17	472-346-5	Cam	1	#53	990-005-0	O-Ring (P-7)	1	#80	976-516-0	Spring (22.1×28) (Red)	1
#18	472-319-7	Anvil	1	#54	990-923-0	O-Ring (SNS-26)	1			(Option : Strong)	
#19	472-375-7	Cam Ring	1	<b>Parts for US-LT40B-08</b>				#81	472-287-3	Rotor	1
#20	472-379-8	Retainer	1	#55	472-460-7	Rotor Gear	1	#82	472-807-3	Spacer	1
#21	471-318-5	Pilot Pin	1	#56	472-480-7	First Gear Cage	1	<b>Accessories</b>			
#22	471-764-7	Notch Pin	1	#57	472-470-7	First Planet Gear	3	#83	939-402-0	Manual Driver (No.2)	1
#23	472-562-8	Spring Holder	1	#58	472-485-7	Second Gear Cage	1	#84	916-810-0	(+)Double Bit (No.2×75)	1
#24	472-257-8	Regulating Screw	1	#59	472-471-7	Second Planet Gear	3	#86	940-113-0	Air Hose Nipple	1
#25	472-351-7	Bit Sleeve	1	#60	496-483-1	Gear Cage Spacer	1	<b>Optional Accessories</b>			
#26	472-567-7	Bushing	1	#61	972-089-0	Roller (3×8)	6	#93	472-516-7	Reaction Bar	1
#27	472-370-7	Clutch Casing Sleeve	1	#62	976-515-0	Spring (22.7×28) (Standard)	1	#94	945-222-0	Hexagon Bolt (M6×22)	1
#28	471-670-7	Band	1	#63	976-516-0	Spring (22.1×28) (Red)	1	<b>For Direct Type</b>			
#29	471-356-7	Bit Band	1			(Option : Weaker)		#87	496-088-1	Silencer Assembly	1
#30	463-334-7	Anvil Spacer	1	#64	976-517-0	Spring (21.5×31) (Yellow)	1	<b>For Slotted Head Bit and Finder</b>			
#31	010-790-1	Suspension Ring	1			(Option : Weakest)		(Take out 472-567-7 Bushing, firstly.)			
#32	970-092-0	Pin (2×5.5)	1	#10	472-287-7	Rotor	1	#88	472-082-7	Bit Casing Set Screw	1
#33	970-105-0	Pin (2×24)	1	#14	472-807-7	Spacer	1	#89	471-057-7	Bit Casing	1
#34	973-006-0	Roll Pin (2×6)	1	<b>Parts for US-LT40B-15</b>				#90	976-330-0	Spring (13.8×18)	1
#35	969-470-0	Pin (2×8)	1	#65	472-460-5	Rotor Gear	1	#91	917-350-0	Finder (7.3×56×24)	1
#36	973-010-0	Roll Pin (2×10)	2	#66	472-480-5	First Gear Cage	1	#92	916-030-0	(-)Bit (5×56)	1
#37	975-106-0	Spacer (18.5×11×1)	1	#67	472-470-5	Planet Gear	6				
#38	976-058-0	Spring (4.5×11)	1								

When ordering spare parts, please specify tool type, code number and part name.

Printed in Japan



**URYU SEISAKU, LTD.** Osaka Japan

For further information, please contact at any time your nearest URYU distributor.

OKA-249-07-06-29-2009