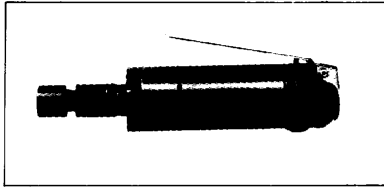
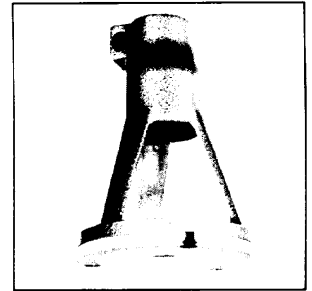
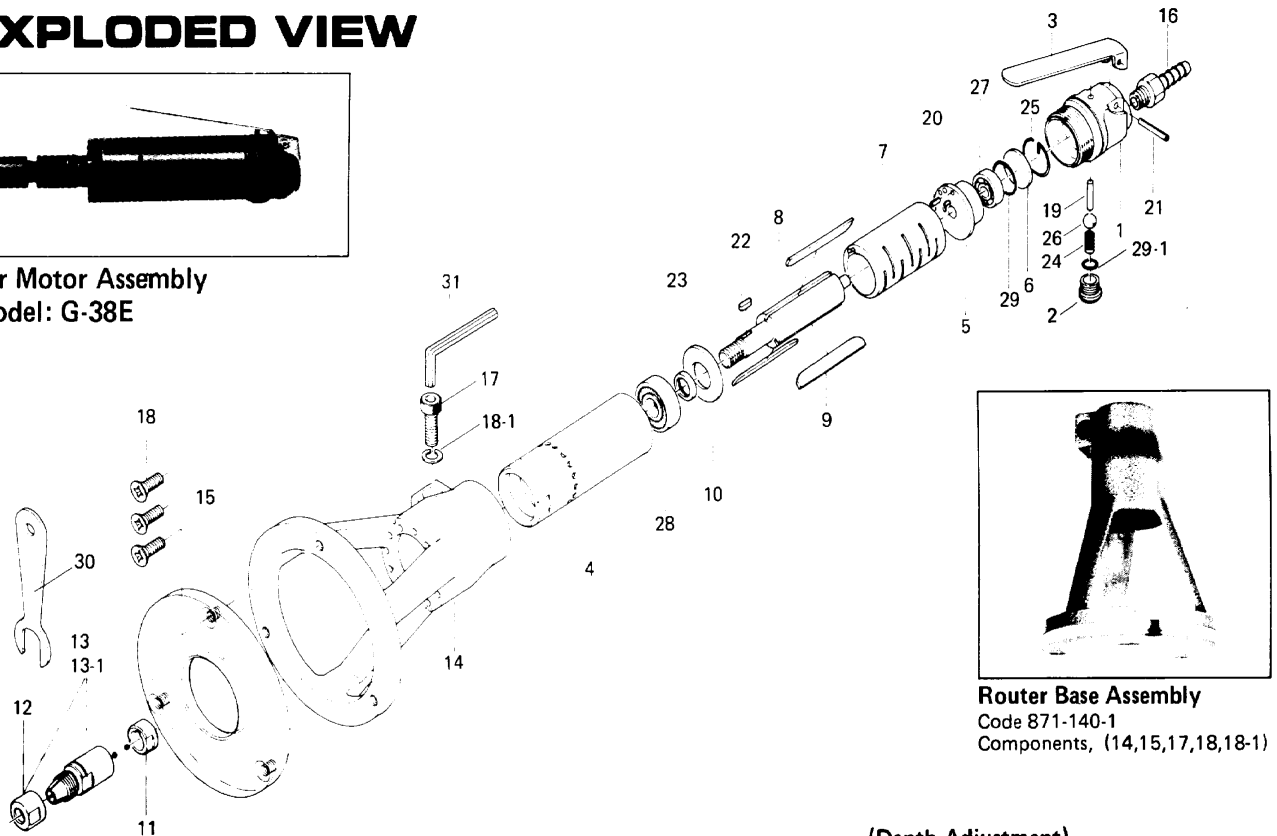


# URYU URM-10 ROUTER & TRIMMER

## EXPLODED VIEW



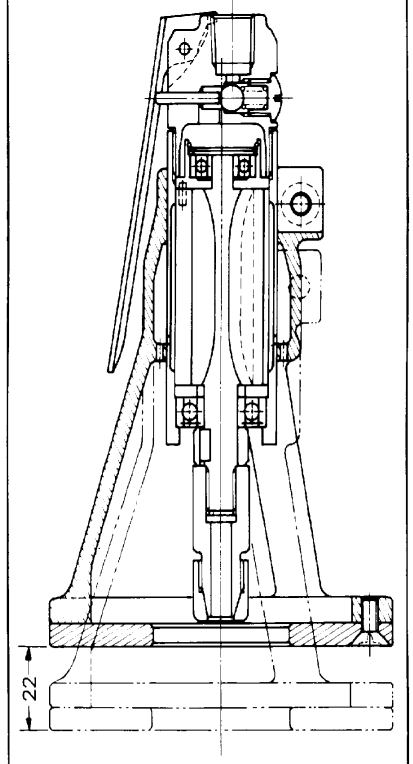
**Air Motor Assembly**  
Model: G-38E



**Router Base Assembly**  
Code 871-140-1  
Components, (14,15,17,18,18-1)

### (Depth Adjustment)

Max. Adjustable distance is 22mm (0.87").



## PARTS LIST

Router Base Assembly components are marked with "\*".

Index No.	Code No.	Part Name	Quantity	Index No.	Code No.	Part Name	Quantity
# 1	504-014-4	Handle Body	1	#21	973-124-0	Roll Pin (3x24)	1
# 2	601-108-1	Valve Plug	1	#22	974-008-0	Key (3x8)	1
# 3	418-107-1	Valve Lever	1	#23	975-042-0	Spacer (13.8x10x3)	1
# 4	504-025-3	Casing	1	#24	976-114-0	Spring (6x18)	1
# 5	505-285-2	Rear Plate	1	#25	978-219-0	Snap Ring (22x1.2)	1
# 6	505-291-1	Rear Plate Spacer	1	#26	981-207-0	Ball (9/32)	1
# 7	505-286-1	Cylinder	1	#27	982-021-0	Ball Bearing (626)	1
# 8	504-287-4	Rotor	1	#28	982-140-0	Ball Bearing (6000Z)	1
# 9	505-288-1	Blade	3	#29	990-914-0	O-Ring (SNS16)	1
#10	504-289-4	Front Plate	1	#29-1	990-904-0	O-Ring (SNS-6)	1
#14	504-043-9	*Mounting Flange	1	<b>Standard Accessories</b>			
#15	504-755-8	*Plastic Plate Base	1	=11	603-411-1	Chuck Retainer	1
#17	945-212-0	*Allen Head Bolt (M6x12)	1	=12	505-412-1	Chuck Nut	1
#18	957-341-0	*Cross Flush Head Screw (M5x12)	3	=13	923-536-0	Collet Chuck Assembly (1/4)	1
#18-1	962-079-0	*Spring Washer (6.5x10x1.5)	1	=13-1	923-535-0	Collet Chuck Assembly (6mm)	1
#19	970-219-0	Pin (H) 3x18.5	1	=16	940-114-0	Air Hose Nipple (NPT1/4x3/8)	1
#20	973-006-0	Roll Pin (2x6)	1	=30	936-006-0	Spanner (12.7x4.5x120)	1
				=31	939-104-0	Allen Wrench (5mm)	1

When ordering spare parts, please specify tool type, code number and part name.

Distributodly:

Printed in Japan

URYU SEISAKU, LTD.

Claims must be filed only with distributors within ten (10) days from delivery.