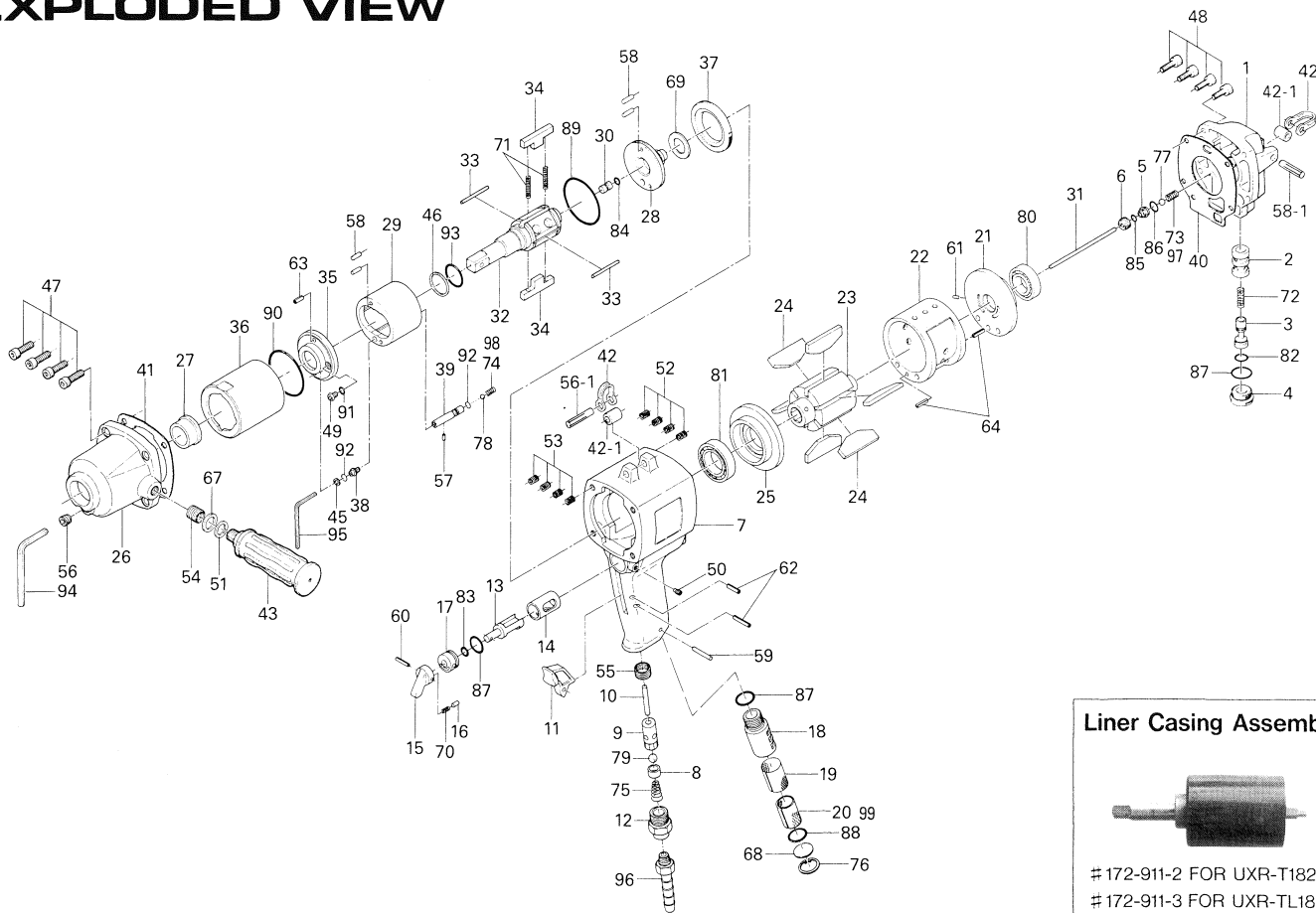
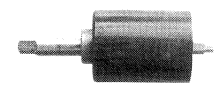


# UXR-T(L) 1820 OIL-PULSE WRENCHES

## EXPLODED VIEW



Liner Casing Assembly



# 172-911-2 FOR UXR-T1820  
# 172-911-3 FOR UXR-TL1820

## PARTS LIST

Index No.	Code No.	Parts Name	Quantity	Index No.	Code No.	Parts Name	Quantity	Index No.	Code No.	Parts Name	Quantity
# 1	172-012-2	Head Cover	1	#38	175-907-9	Relief Valve Spindle	1	#73	976-275-0	Spring (6.7×12)	1
# 2	173-253-3	Shut-Off Valve Bushing	1	#39	172-970-5	Relief Valve	1	#74	977-028-0	Cone Spring (4.5×5.5×10.5)	1
# 3	173-254-3	Shut-Off Valve	1	#40	172-853-2	Head Cover Packing	1	#75	977-180-0	Cone Spring (7.5×12×22)	1
# 4	175-927-9	Shut-Off Valve Cover	1	#41	195-867-9	Front Casing Packing	1	#76	979-320-0	Inner Snap Ring (1RTW-20)	1
# 5	175-968-9	Pilot Valve Retainer	1	#42	195-790-9	Suspension Ring	2	#77	981-006-0	Ball (1/4)	1
# 6	175-019-9	Valve Cover	1	#42-1	173-796-3	Suspension Bushing	2	#78	981-155-0	Ball (3/5)	1
# 7	172-025-2	Handle	1	#43	566-720-2	Dead Handle (A)	1	#79	981-208-0	Ball (5/16)	1
# 8	188-100-1	Valve	1	#45	944-205-0	Back-Up Ring (5.1×7×1)	1	#80	982-103-0	Ball Bearing (6003)	1
# 9	063-102-3	Valve Bushing	1	#46	944-225-0	Supporting Ring (25.2×29.4×1.5)	1	#81	982-906-0	Ball Bearing (6095)	1
#10	172-104-2	Valve Rod	1	#47	945-220-0	Allen Head Bolt (M6×20)	4	#82	990-007-0	O-Ring (P9)	1
#11	026-107-7	Throttle Trigger	1	#48	945-118-0	Allen Head Bolt (M5×18)	4	#83	990-205-0	O-Ring (JW1516-5)	1
#12	195-091-9	Air Inlet Bushing	1	#49	945-942-0	Hexagon Round Head Bolt (M4×6)	1	#84	990-320-0	O-Ring (ARP568-003)	1
#13	189-210-8	Reverse Valve	1	#50	952-108-0	Allen Head Dog Point Screw (M4×8)	1	#85	990-901-0	O-Ring (SNS-3)	1
#14	189-211-8	Reverse Valve Bushing	1	#51	962-013-0	Spring Washer (2-12S)	1	#86	990-907-0	O-Ring (SNS-9)	1
#15	023-212-4	Reverse Lever	1	#52	965-011-0	Heli-Sert (M5×1.5D)	4	#87	990-914-0	O-Ring (SNS-16)	3
#16	054-220-1	Reverse Lever Notch	1	#53	965-021-0	Heli-Sert (M6×1.5D)	4	#88	990-916-0	O-Ring (SNS-18)	1
#17	187-222-1	Reverse Valve Setter	1	#54	965-058-0	Heli-Sert (M12×1D)	1	#89	990-940-0	O-Ring (SNS-53)	1
#18	195-780-9	Exhaust Stack	1	#55	965-118-0	Heli-Sert (M18×1.5×1D)	1	#90	990-941-0	O-Ring (SNS-55)	1
#19	195-042-9	Silencer	1	#56	966-100-0	Allen Head Plug (1/8)	1	#91	990-971-0	O-Ring (SNS-3) (NOK)	1
#20	195-835-9	Filter	1	#56-1	969-480-0	Pin (C) (8×40)	1	#92	990-972-0	O-Ring (SNS-4) (NOK)	2
#21	195-285-9	Rear Plate	1	#57	970-093-0	Pin (H) (2×6)	4	#93	990-500-0	Teflon Seal (120)	1
#22	195-286-9	Cylinder	1	#58	970-308-0	Pin (I) (4×8)	4				
#23	195-287-8	Rotor	1	#58-1	969-481-0	Pin (C) (8×45)	1				
#24	195-288-9	Blade	6	#59	971-163-0	Pin (2.5×23)	1				
#25	195-289-9	Front Plate	1	#60	973-016-0	Roll Pin (2×16)	1				
#26	195-439-7	Front Casing	1	#61	973-066-0	Roll Pin (2.5×6)	1				
#27	195-328-7	Anvil Bushing	1	#62	973-118-0	Roll Pin (3×18)	2				
#28	172-901-2	Rear Liner Plate	1	#63	969-405-0	Pin (G) (3.5×8)	1				
#29	172-902-2	Liner	1	#64	973-212-0	Roll Pin (4×12)	2				
#30	175-546-9	Piston	1	#67	975-127-0	Spacer (20×13×1)	1				
#31	172-130-2	Piston Rod	1	#68	975-600-0	Spacer (20×1)	1				
#32	173-319-2	Anvil	1	#69	975-810-0	Adjusting Spacer (30×20×T)	1				
#33	173-974-2	Roller (3.4×45)	2	#70	976-025-0	Spring (3×8.5)	1				
#34	195-440-9	Driving Blade	2	#71	976-796-0	Spring (4.3×48) (0.6) WPC	2				
#35	172-904-2	Front Liner Plate	1	#72	976-231-0	Spring (9×27.5)	1				
#36	195-905-9	Liner Casing	1								
#37	195-906-9	Liner Casing Setter	1								

### Parts For UXR-TL1820

#97	976-276-0	Spring (6.7×12) (SUS)	1
#98	977-019-0	Cone Spring (4×5.1×10.8)	1
#99	195-835-9	Filter	1

### ACCESSORIES

#94	939-104-0	Allen Wrench (5MM)	1
#95	939-109-0	Allen Wrench (2MM)	1
#96	940-125-0	Air Hose Nipple (NPT3/8×1/2)	1

When ordering spare parts, please specify tool type, code number and part name.

Printed in Japan



**URYU SEISAKU, LTD.** Osaka, Japan