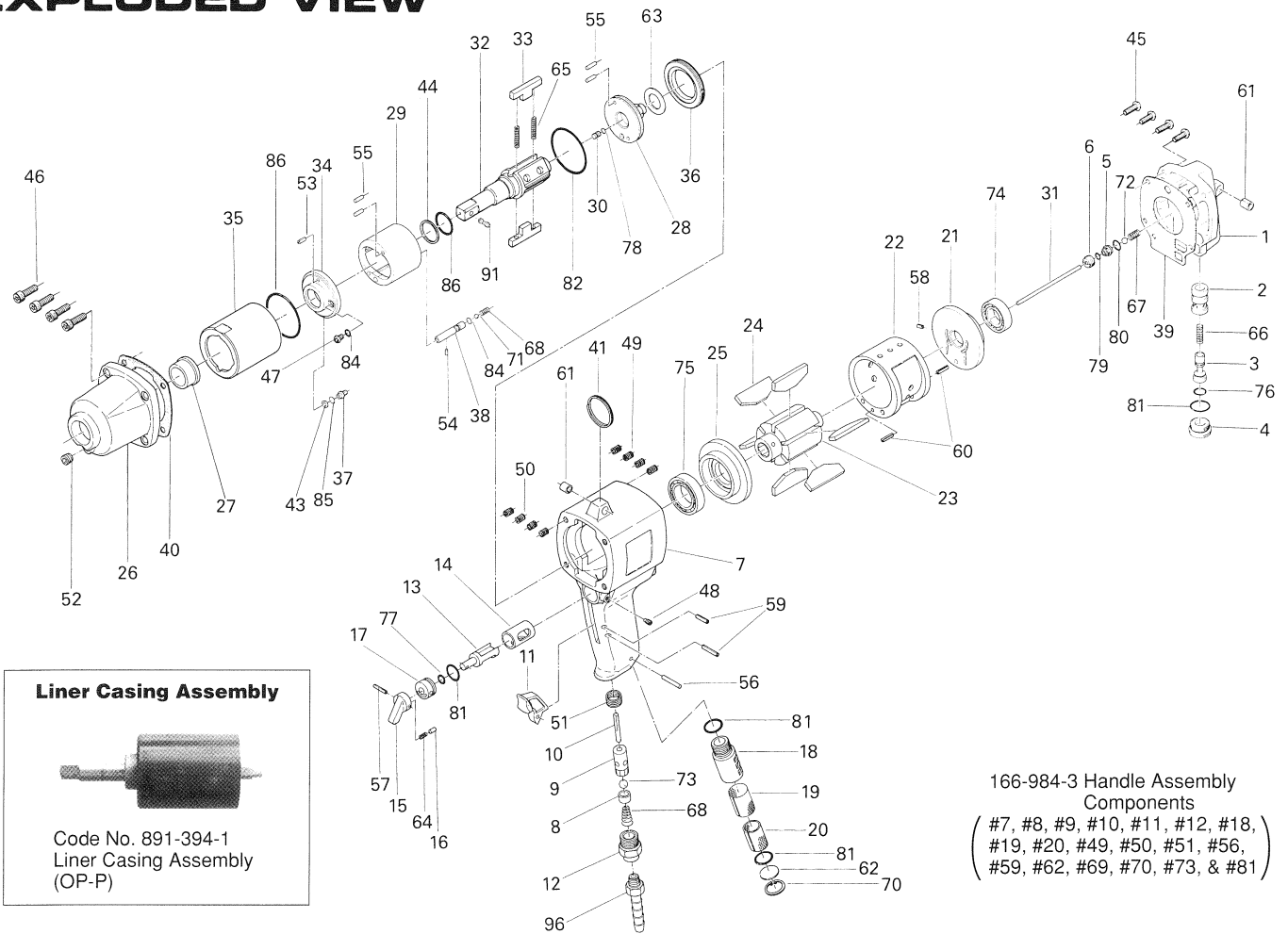


UX-T1300 OIL-PULSE WRENCHES

EXPLODED VIEW



166-984-3 Handle Assembly
Components
(#7, #8, #9, #10, #11, #12, #18,
#19, #20, #49, #50, #51, #56,
#59, #62, #69, #70, #73, & #81)

PARTS LIST

Index No.	Code No.	Parts Name	Quantity	Index No.	Code No.	Parts Name	Quantity	Index No.	Code No.	Parts Name	Quantity
# 1	166-012-3	Head Cover	1	#35	194-905-6	Liner Casing	1	#66	976-274-0	Spring (5.2×15)	1
# 2	175-253-7	Shut-Off Valve Bushing	1	#36	194-906-4	Liner Casing Setter	1	#67	976-275-0	Spring (6.7×12)	1
# 3	175-254-7	Shut-Off Valve	1	#37	175-907-9	Relief Valve Spindle	1	#68	977-016-0	Cone Spring (3.4×4.5×7.3) (0.65)	1
# 4	175-927-9	Shut-Off Valve Cover	1	#38	166-970-3	Relief Valve	1	#69	○ 977-175-0	Cone Spring (7.5×10.3×22)	1
# 5	175-968-9	Pilot Valve Retainer	1	#39	166-853-4	Head Cover Packing	1	#70	○ 979-318-0	Inner Snap Ring (IRTW-18)	1
# 6	175-019-9	Valve Cover	1	#40	194-867-6	Front Casing Packing	1	#71	981-006-0	Ball (1/4)	1
# 7	○ 166-025-3	Handle	1	#41	004-790-2	Suspension Ring	1	#72	981-155-0	Ball (3.5 mm)	1
# 8	○ 188-100-1	Valve	1	#43	944-205-0	Back-up Ring (5.1×7×1)	1	#73	○ 981-208-0	Ball (5/16)	1
# 9	○ 063-102-3	Valve Bushing	1	#44	944-215-0	Supporting Ring (16×19.9×1.5)	1	#74	982-404-0	Ball Bearing (EE-5)	1
# 10	○ 193-104-6	Valve Rod	1	#45	945-117-0	Allen Head Bolt (M5×16)	4	#75	982-905-0	Ball Bearing (6904)	1
# 11	○ 026-107-7	Throttle Trigger	1	#46	945-216-0	Allen Head Bolt (M6×16)	4	#76	990-004-0	O-Ring (P-6)	1
# 12	○ 185-091-7	Air Inlet Bushing	1	#47	945-942-0	Hexagon Round Head Bolt (M4×6)	1	#77	990-205-0	O-Ring (JW1516-5)	1
# 13	199-210-1	Reverse Valve	1	#48	952-108-0	Allen Head Dog Point Screw (M4×8)	1	#78	990-320-0	O-Ring (APR-568-003)	1
# 14	199-211-1	Reverse Valve Bushing	1	#49	○ 965-011-0	Heli-Sert (M5×1.5D)	4	#79	990-901-0	O-Ring (SNS-3)	1
# 15	023-212-4	Reverse Lever	1	#50	○ 965-021-0	Heli-Sert (M6×1.5D)	4	#80	990-907-0	O-Ring (SNS-9)	1
# 16	054-220-1	Reverse Lever Notch	1	#51	○ 965-073-0	Heli-Sert (UNF5/8) (N6)	1	#81	○ 990-914-0	O-Ring (SNS-16)	4
# 17	187-222-1	Reverse Valve Setter	1	#52	966-100-0	Allen Head Plug (1/8)	1	#82	990-930-0	O-Ring (SNS-40)	1
# 18	○ 194-780-4	Exhaust Stack	1	#53	969-450-0	Pin (G) (3×8)	1	#83	990-932-0	O-Ring (SNS-42)	1
# 19	○ 194-042-4	Silencer	1	#54	970-093-0	Pin (H) (2×6)	1	#84	990-971-0	O-Ring (SNS-3) (NOK)	2
# 20	○ 194-835-6	Filter	1	#55	970-206-0	Pin (H) (3×8)	4	#85	990-972-0	O-Ring (SNS-4) (NOK)	1
# 21	194-285-6	Rear Plate	1	#56	○ 971-163-0	Pin (2.5×23)	1	#86	995-516-0	Teflon Seal (P-16)	1
# 22	063-286-7	Cylinder	1	#57	973-016-0	Roll Pin (2×16)	1	#91	891-304-1	Socket Pin Assembly (1/2)	1
# 23	166-287-3	Rotor	1	#58	973-066-0	Roll Pin (2.5×6)	1				
# 24	194-288-6	Blade	6	#59	○ 973-116-0	Roll Pin (3×16)	2				
# 25	194-289-6	Front Plate	1	#60	973-212-0	Roll Pin (4×12)	2				
# 26	194-439-6	Front Casing	1	#61	973-340-0	Roll Pin (6×10)	2				
# 27	189-328-8	Anvil Bushing	1	#62	○ 975-598-0	Round Plate (18×1)	1				
# 28	166-901-3	Rear Liner Plate	1	#63	975-812-0	Adjusting Spacer (30×17×t)	1				
# 29	166-902-3	Liner	1	#64	976-025-0	Spring (3×8.5)	1				
# 30	175-546-9	Piston	1	#65	976-453-0	Spring (4.5×34.5)(0.6)WPC	2				
# 31	166-130-3	Piston Rod	1								
# 32	891-313-1	Anvil Assy. (OP-P)	1								
# 33	194-440-7	Driving Blade	2								
# 34	175-904-7	Front Liner Plate	1								

ACCESSORIES

#96	940-114-0	Air Hose Nipple (NPT1/4×3/8)	1
#97	939-104-0	Allen Wrench (5mm)	1
#98	939-109-0	Allen Wrench (2mm)	1

When ordering spare parts, please Specify tool type, code number and parts name.

Printed in Japan



URYU SEISAKU, LTD. Osaka, Japan

For further information, please contact at any time your nearest URYU distributor.

OKA-377-07-06-10-505